









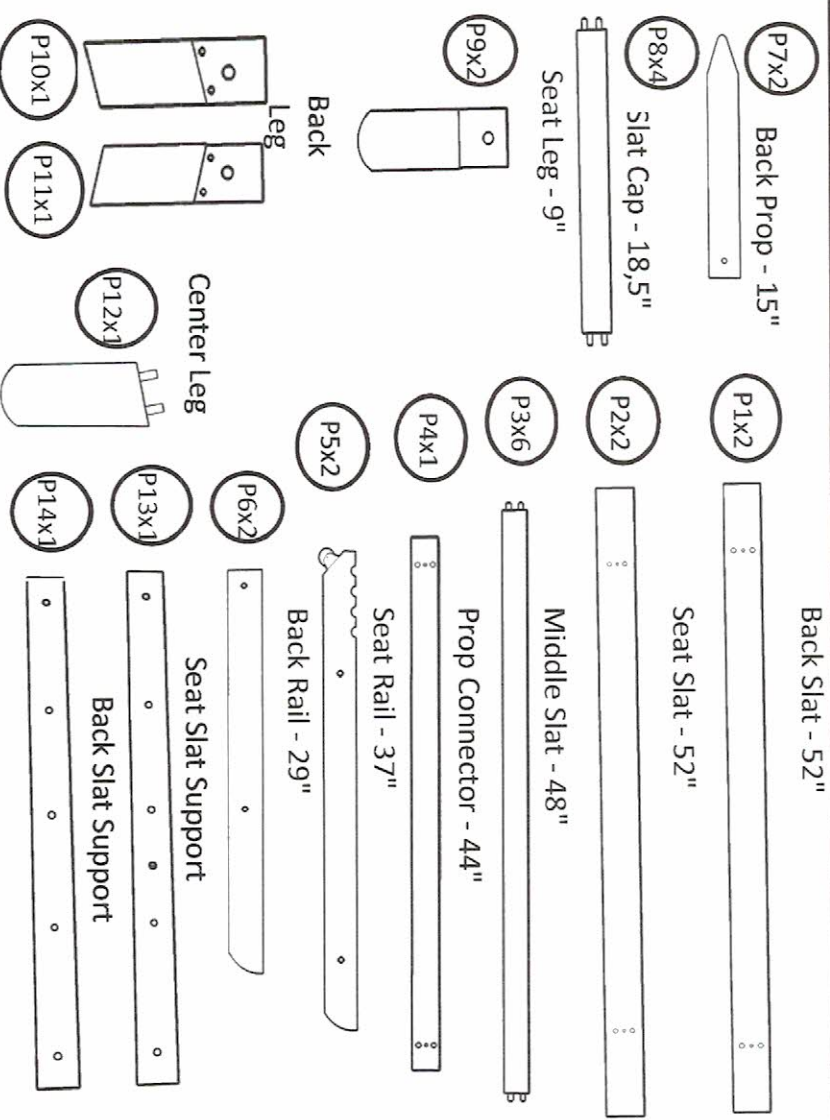
DO NOT RETURN TO RETAILER
IF YOU HAVE ANY
QUESTIONS OR CONCERNS
PLEASE CALL
KODIAK FURNITURE
AT 651-641-0281
MONDAY- FRIDAY 8AM TO 3:30 PM CST

OR EMAIL TO
info@kodiakfurniture.com
OR VISIT OUR WEBSITE AT
www.kodiakfurniture.com

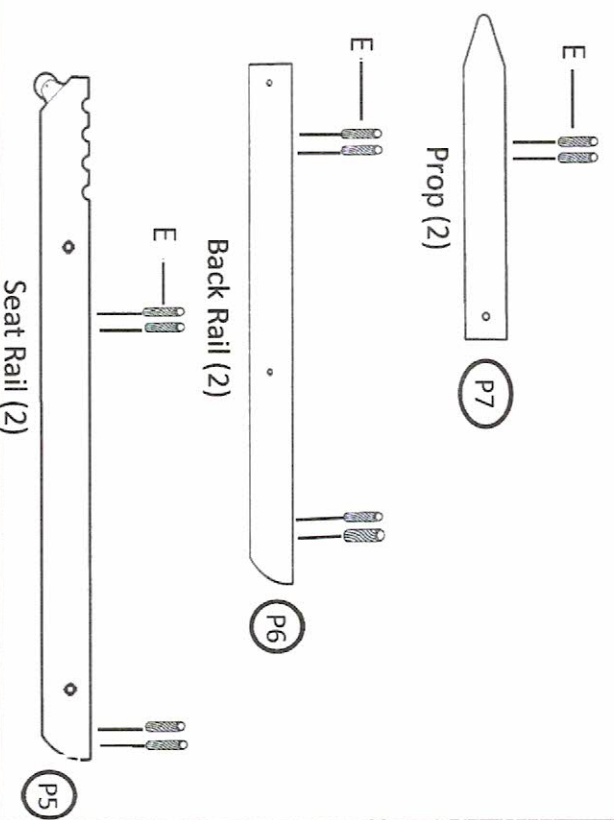
ASSEMBLY INSTRUCTION
CARSON FULL BIFOLD FRAME

HARDWARE		
A	Bolt 6 x 40 	21
B	2-1/4" Clevis Pin 	4
C	3-1/4" Clevis Pin 	2
D	Hair Pin 	6
E	Wood Dowels 	20
F	8 x 1 1/2" Wood Screw 	4
G	Washer 	6
H	Allen Key 	1

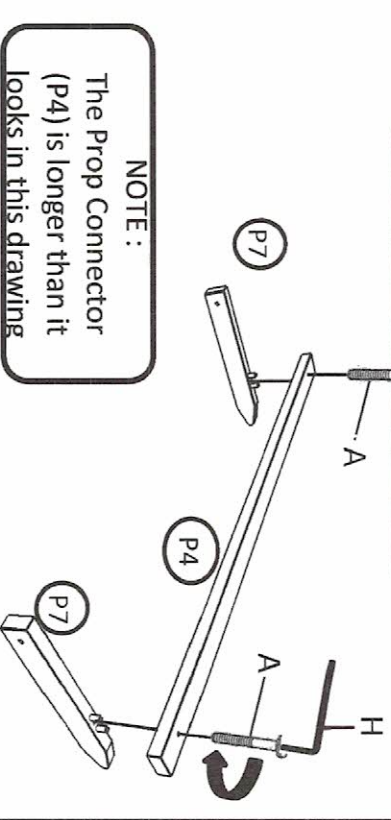
Parts



1 Push Wood Dowels (E) all the way into holes as shown.



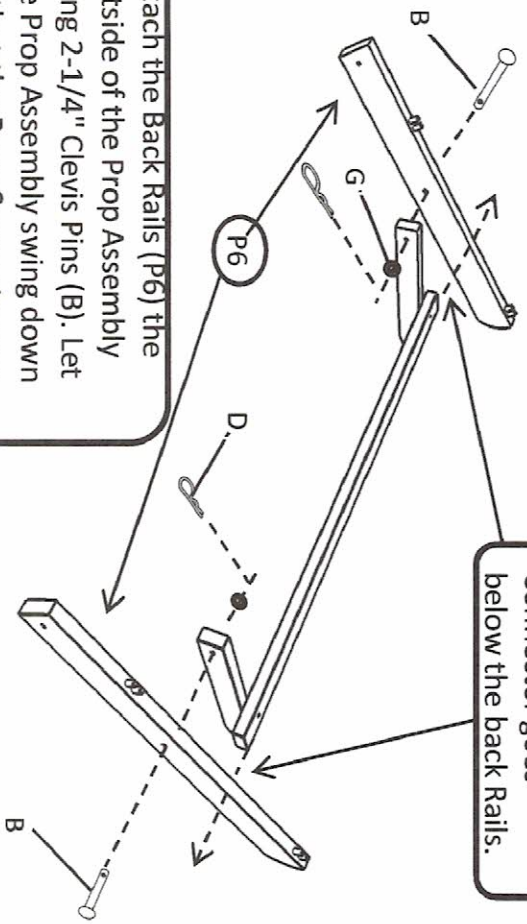
2 Press the Prop Connector (P4) onto the Wood Dowels on the Props (P7) and attach with (2) Bolt 6 x 40 (A)



NOTE :
The Prop Connector (P4) is longer than it looks in this drawing.

3

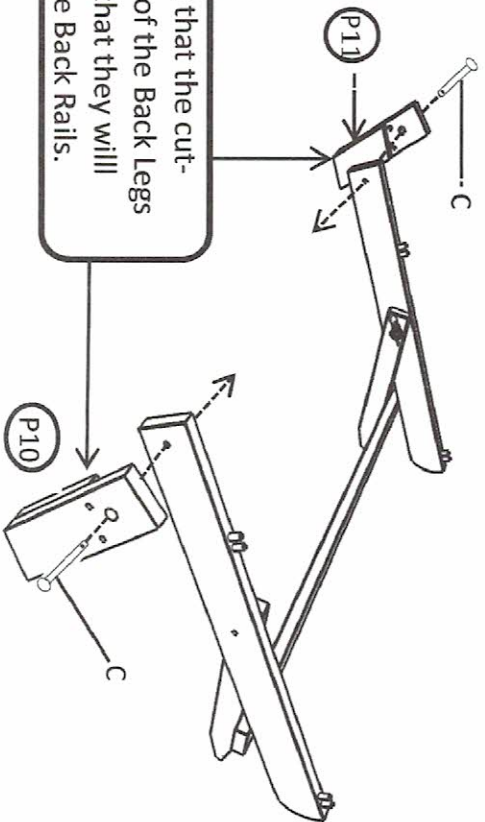
Be sure that the Prop Connector goes below the back Rails.



Attach the Back Rails (P6) the outside of the Prop Assembly using 2-1/4" Clevis Pins (B). Let the Prop Assembly swing down so that the Prop Connector can go below the Back Rails.

5

Attach the Left and Right Back Legs to the outside of the Back Rails using the 3-1/4" Clevis Pins (C). Do not put on the Hair Pins at this time.

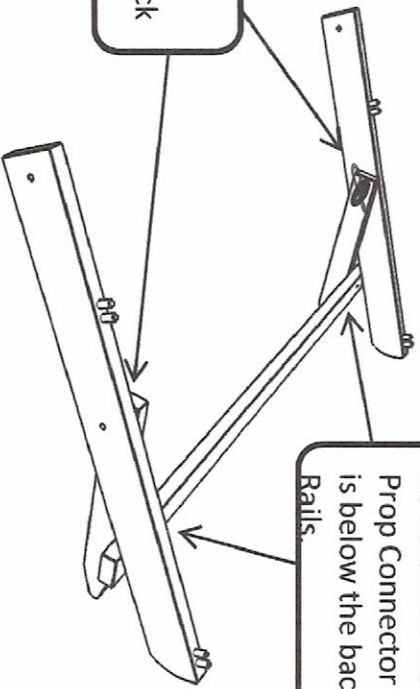


Make sure that the cut-away part of the Back Legs face in so that they will support the Back Rails.

4

Please double-check your work at this time. Any error in this assembly will cause serious problems later.

Be sure that the Prop Connector is below the back Rails.

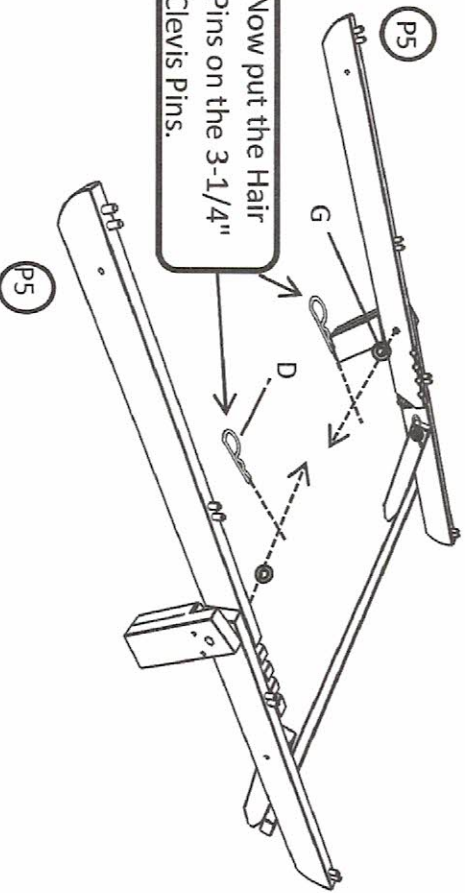


Be sure that the Prop are on the inside of the Back Rails.

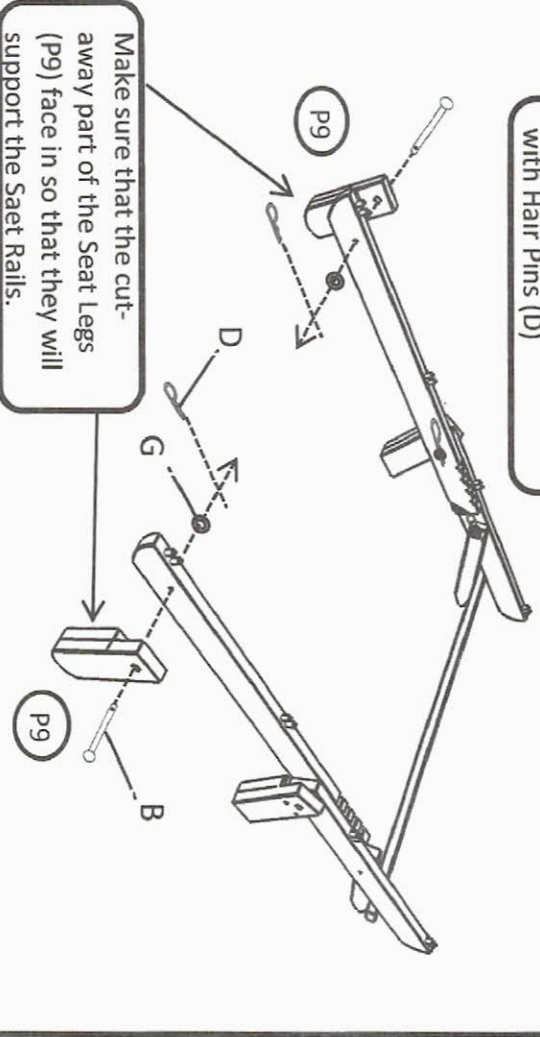
6

Please the Seat Rails (P5) on to the 3-1/4" Clevis Pins and Secure with Washer and with Hair Pins (D)

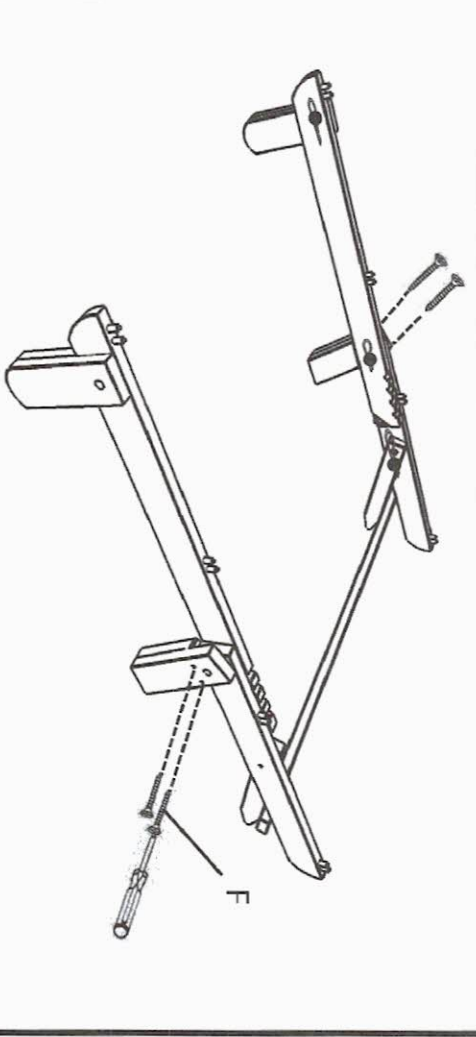
Now put the Hair Pins on the 3-1/4" Clevis Pins.



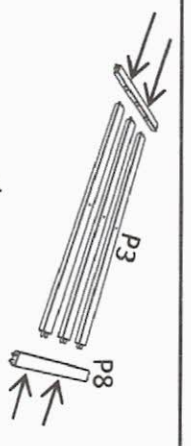
7 Attach the Seat Legs (P9) to the Seat Rails using 2- 1/4" Clevis Pins (B) Secure with Hair Pins (D)



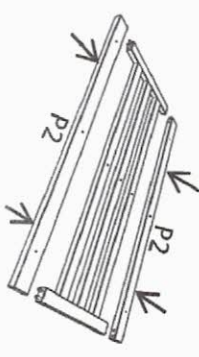
8 Secure Seat and Back Legs with Wood Screws (F). These screws are self-tapping and do not need pilot holes.



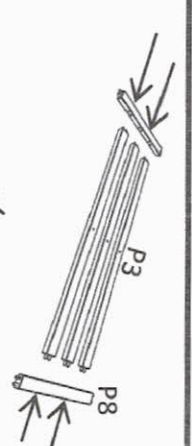
9 Using (3) Middle Slat (P3) push the Wood Dowels into the edge hole on (2) Seat Slats (P2)



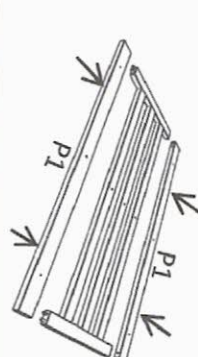
Find the (2) Seat Slats (P2) and push them into the Wood Dowels on the Slat Caps. (The side labeled "SEAT" faces down)



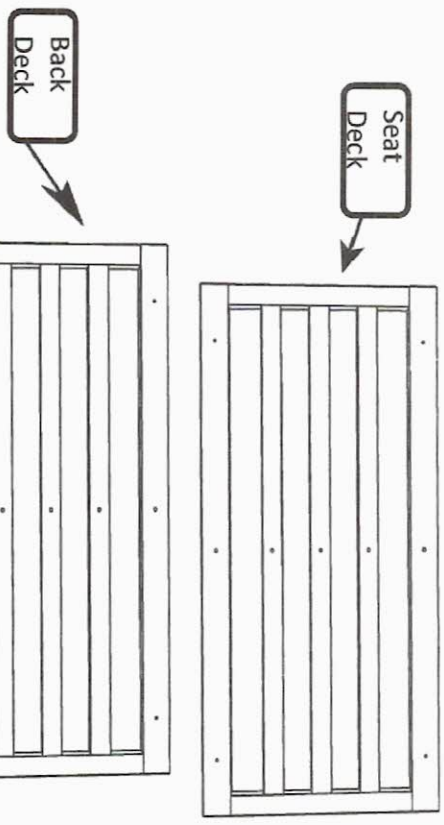
10 Using (3) Middle Slat (P3) push the Wood Dowels into the edge hole on (2) Back Slats (P1)

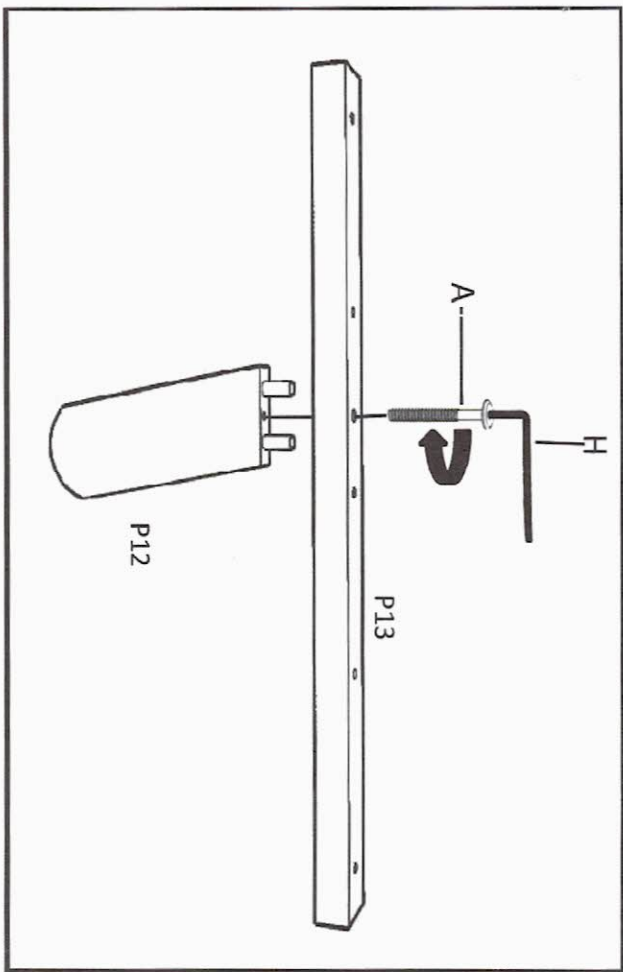


Find the (2) Back Slats (P1) and push them into the Wood Dowels on the Slat Caps. (The side labeled "BACK" faces down)



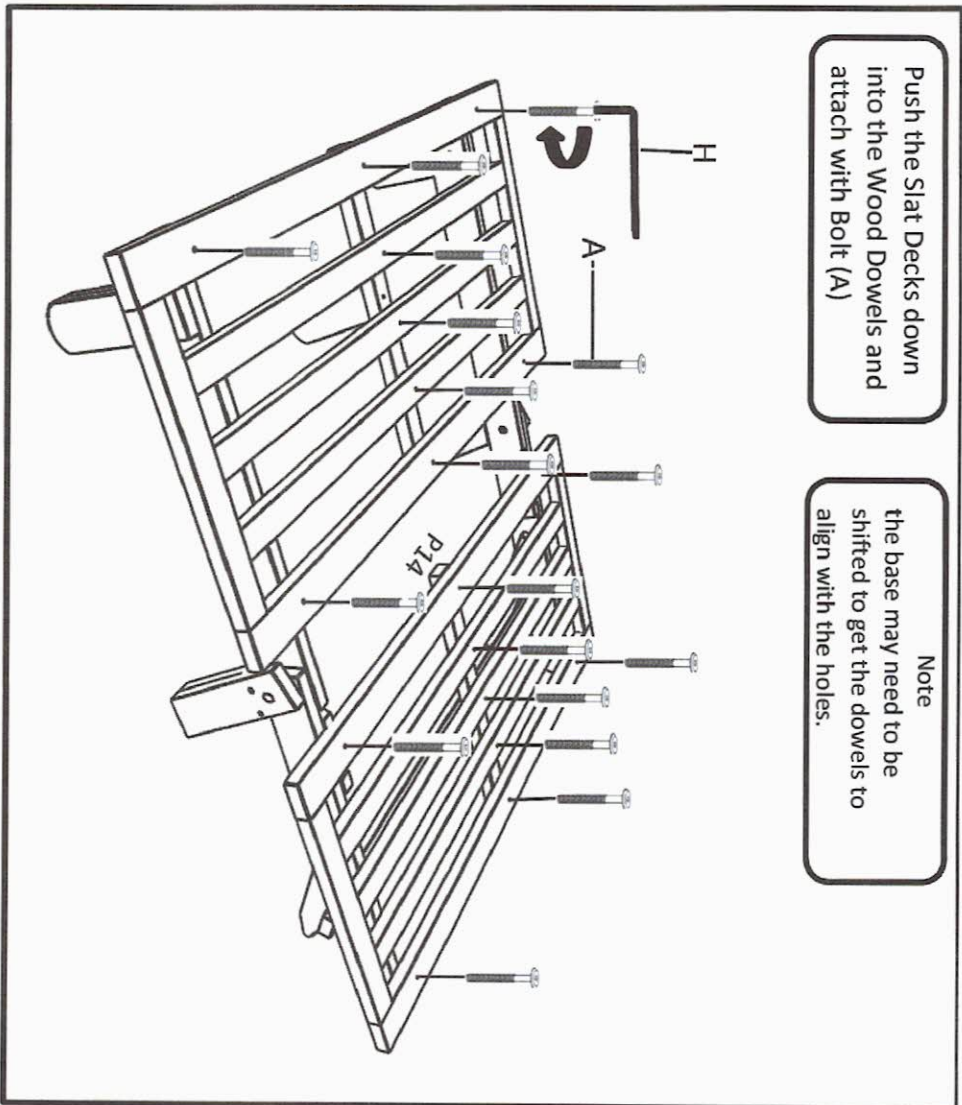
11



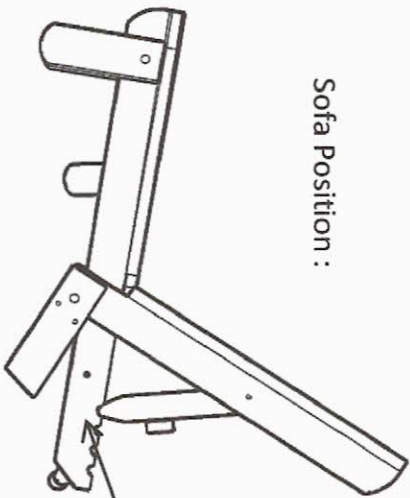


Push the Slat Decks down into the Wood Dowels and attach with Bolt (A)

Note
the base may need to be shifted to get the dowels to align with the holes.

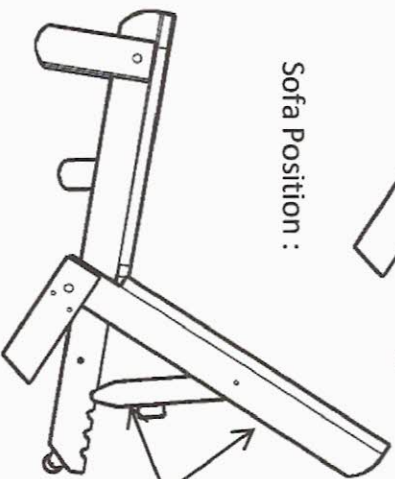


Sofa Position :



Adjust Back to a comfortable position

Sofa Position :



Lift up Back and swing down Prop into notches on Seat Rail.

Bed Position :

