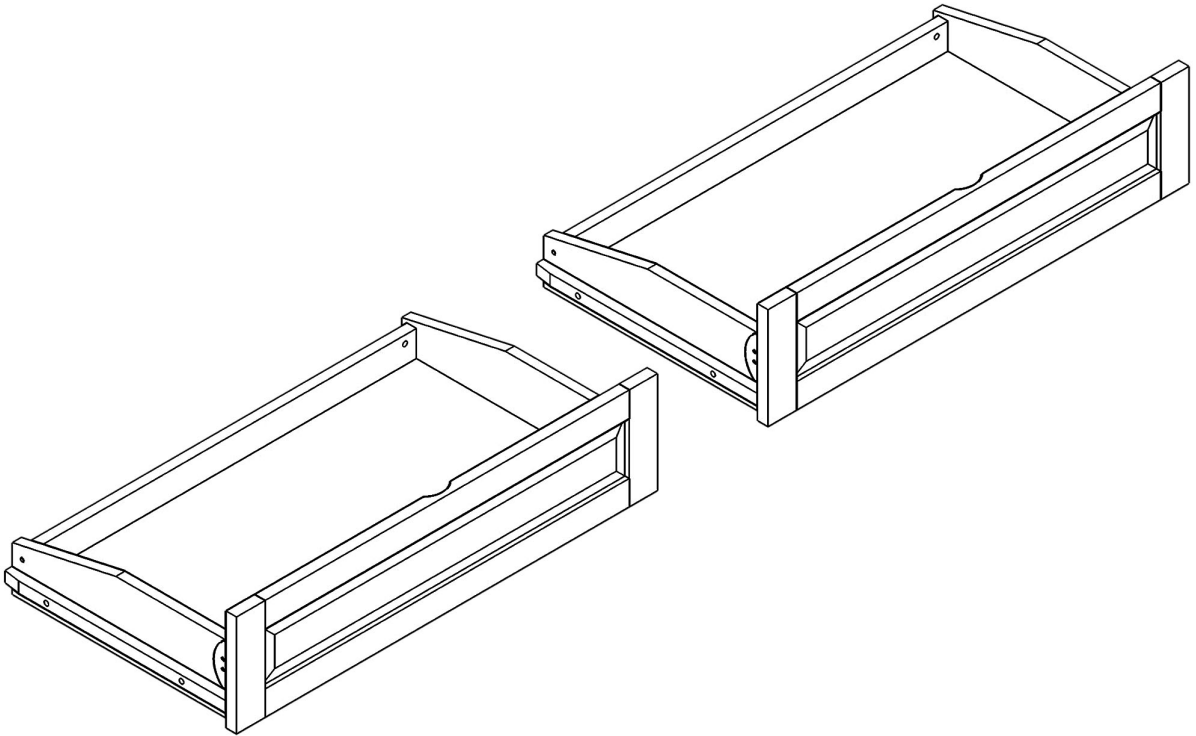


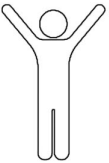


Drawer

Assembly Instructions



Required:



Tools Needed:



Allen Key provided

Please cover floor with corrugated cardboard / paper / carpet
to avoid scratches / damages to floor

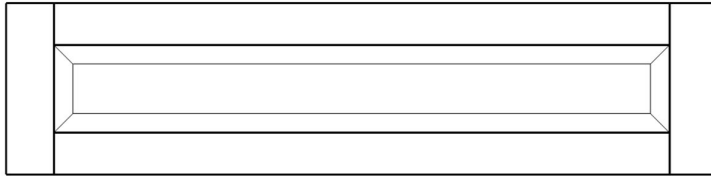
Assembly Checklist

Please make sure that you have all of the below items before you start. If any are missing, please contact us for a replacement.



Parts supplied for assembly

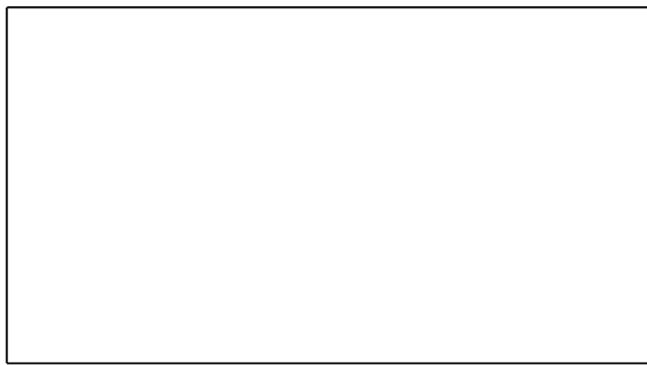
All Parts **x2** sets



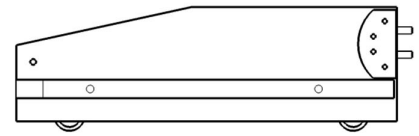
P1



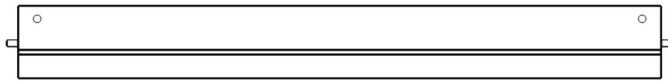
P2



P4

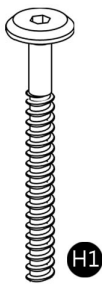


P3



P5

Hardware supplied for assembly



H1

x 2



H2

x 4



H3

x 2

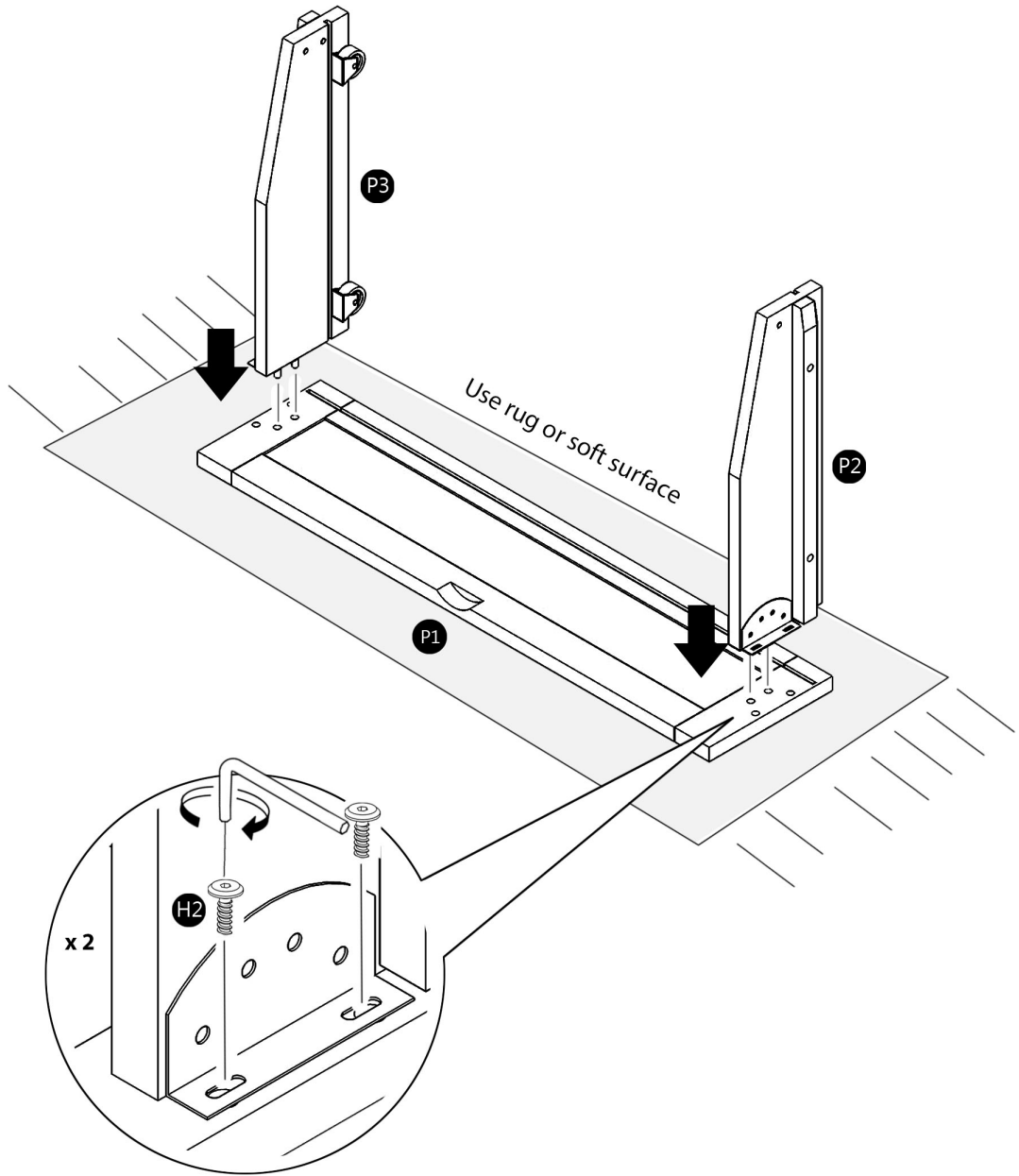
Tools required for assembly:
- Allen Key (supplied)



H7

x 1

Step 1: Attach parts P2 & P3 to P1 with hardware as shown



Tools required for assembly:
- Allen Key (supplied)



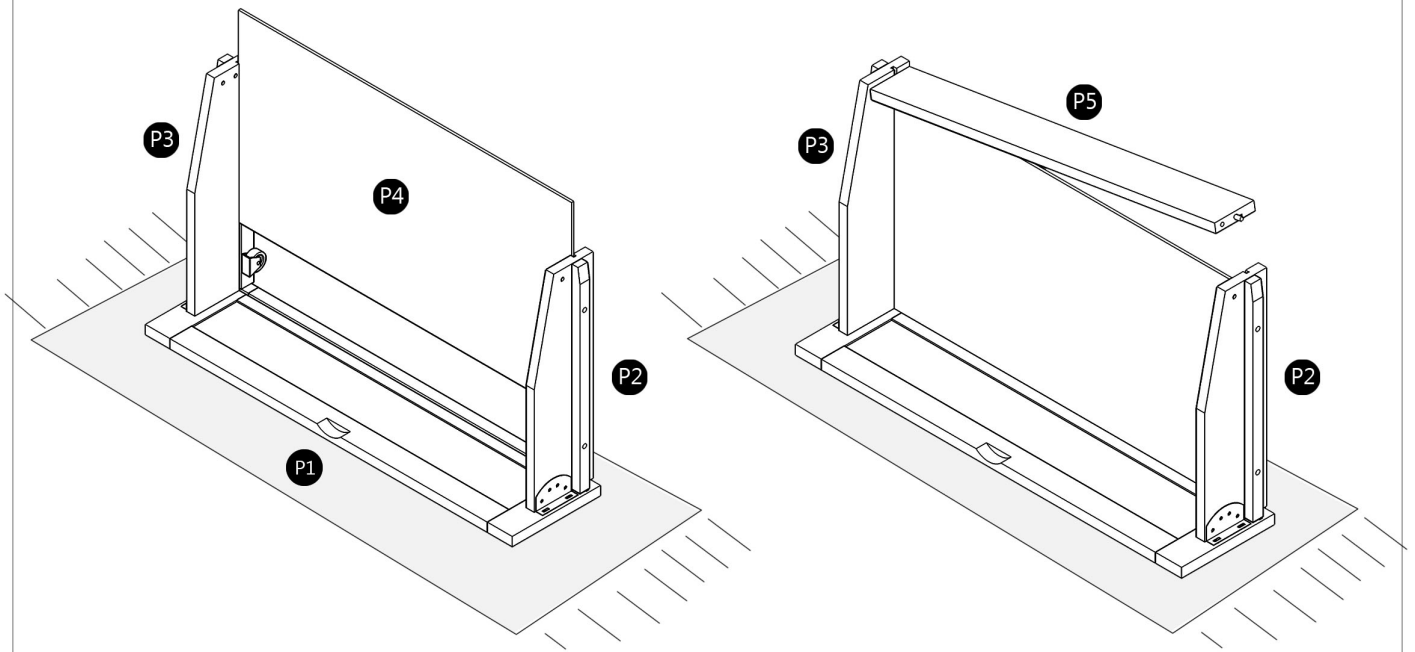
x 4



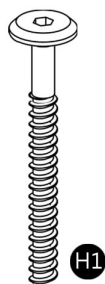
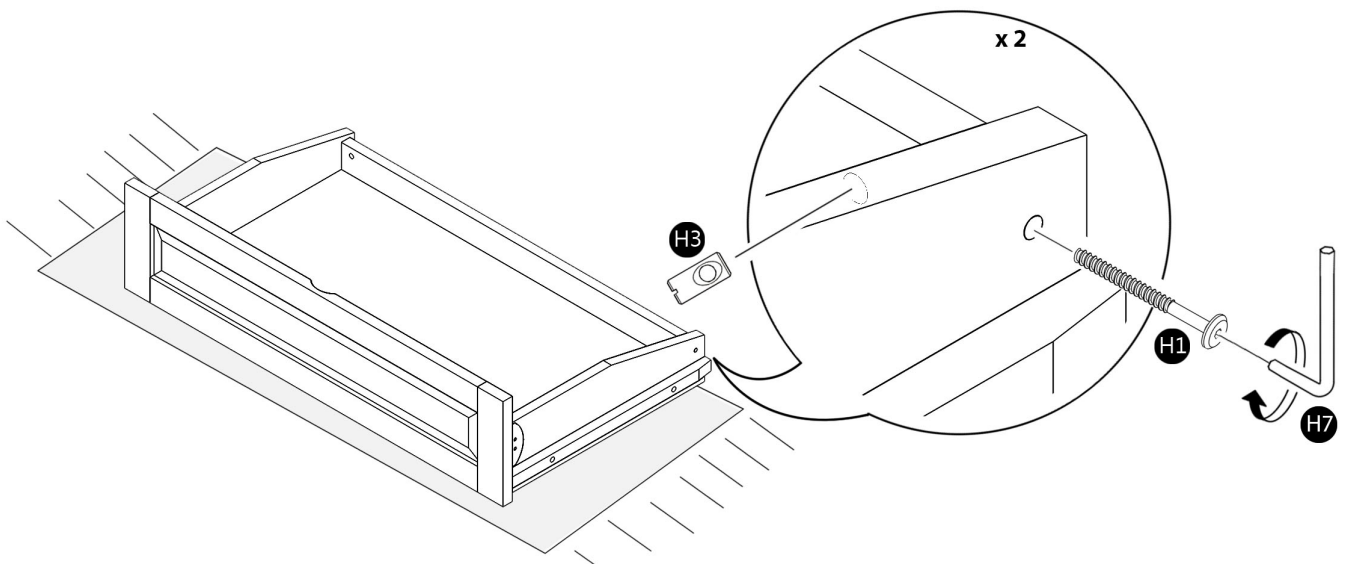
H7

x 1

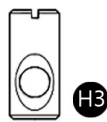
Step 2: Slide parts P4 to P1. Attach part P5 to P2 & P3



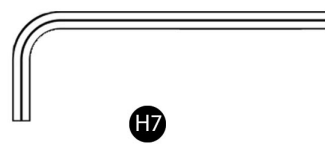
Step 3: Attach part P5 to P2 & P3 with hardware as shown



x 2



x 2



x 1

Tools required for assembly:
- Allen Key (supplied)