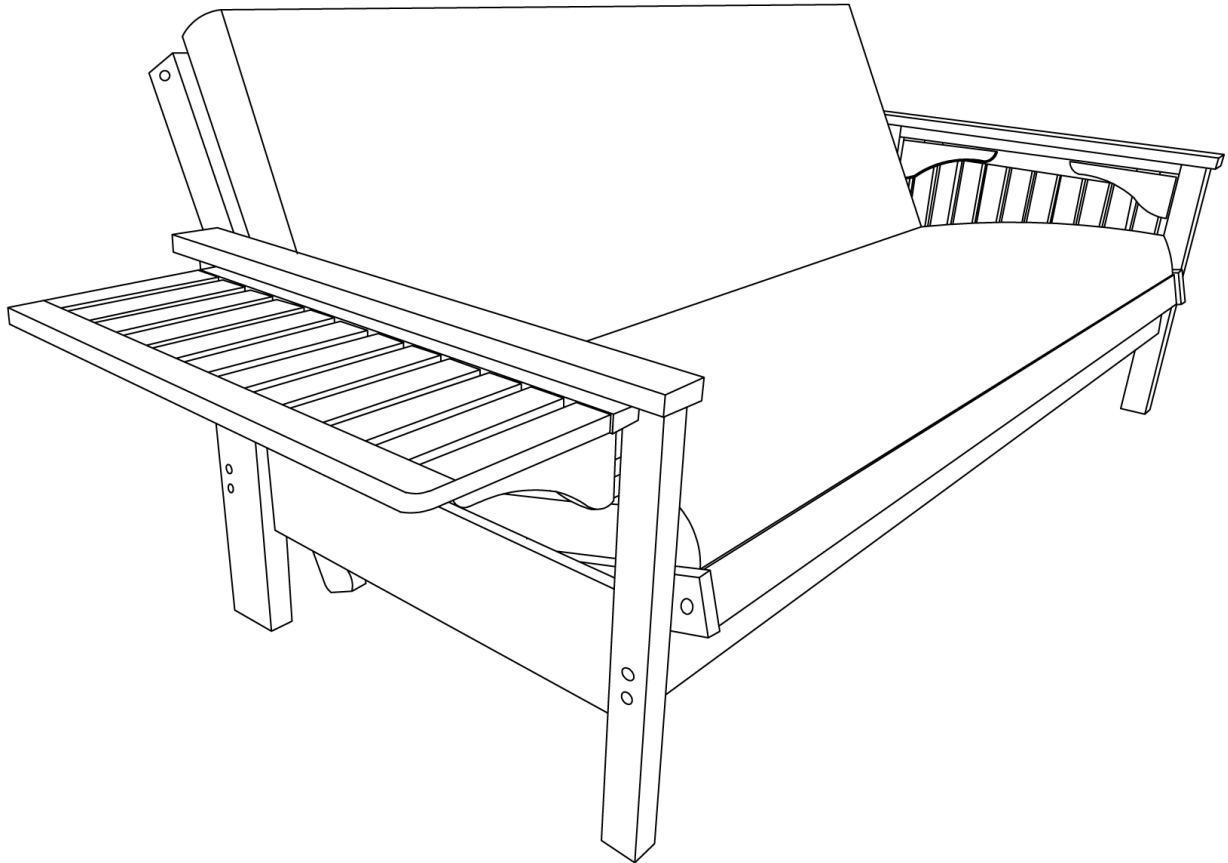


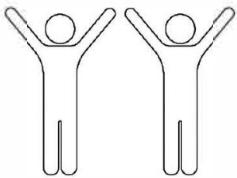


# Futon Frame

## Assembly Instructions



Required:



Video instructions  
@  
[www.kodiakfurniture.com](http://www.kodiakfurniture.com)

Tools Needed:



Allen Key provided

Please cover floor with corrugated cardboard / paper / carpet  
to avoid scratches / damages to floor



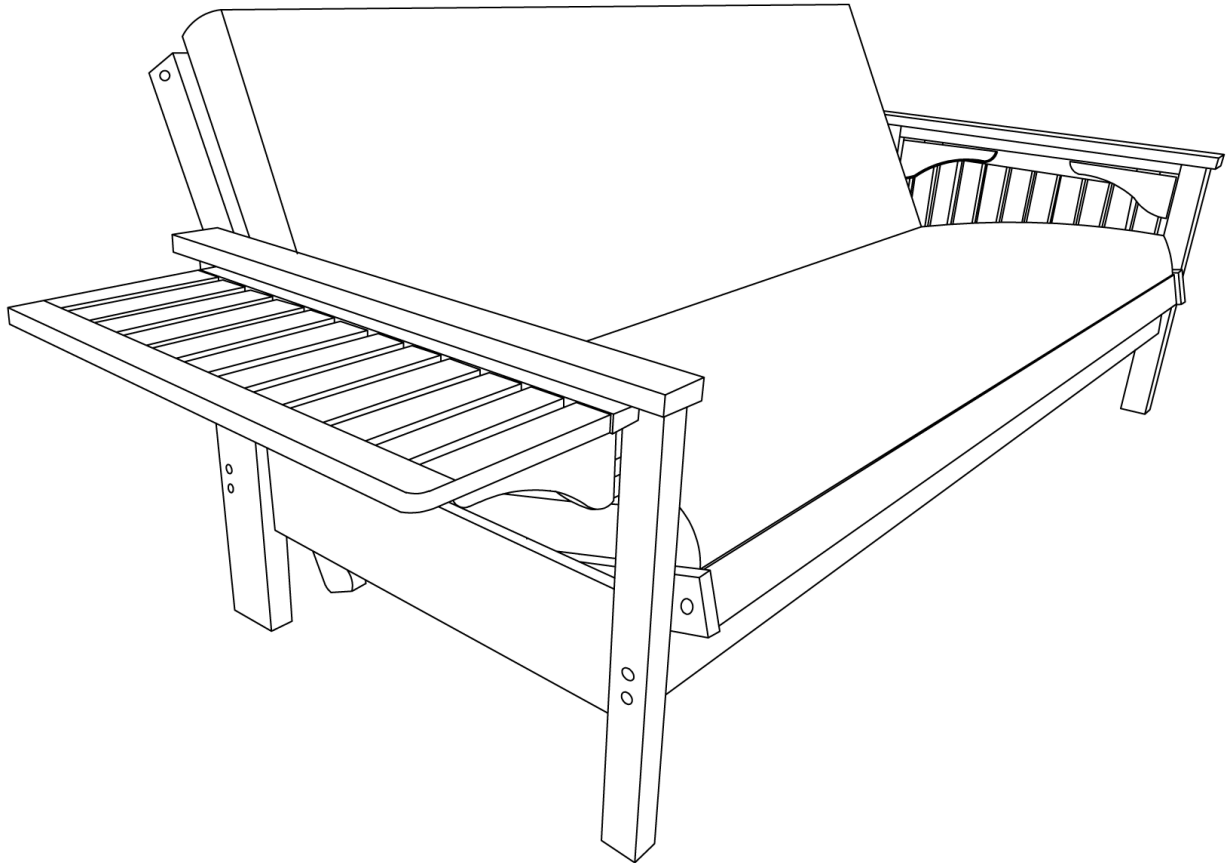
DO NOT RETURN TO RETAILER  
IF YOU HAVE ANY  
QUESTIONS OR CONCERNS  
PLEASE CALL  
KODIAK FURNITURE  
AT 651-641-0281  
MONDAY- FRIDAY 8AM TO 3:30 PM CST

OR EMAIL TO  
[info@kodiakfurniture.com](mailto:info@kodiakfurniture.com)  
OR VISIT OUR WEBSITE AT  
[www.kodiakfurniture.com](http://www.kodiakfurniture.com)

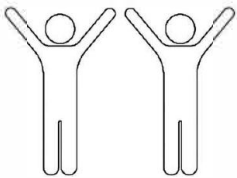


# Futon Frame

## Assembly Instructions



Required:



Video instructions  
@  
[www.kodiakfurniture.com](http://www.kodiakfurniture.com)

Tools Needed:



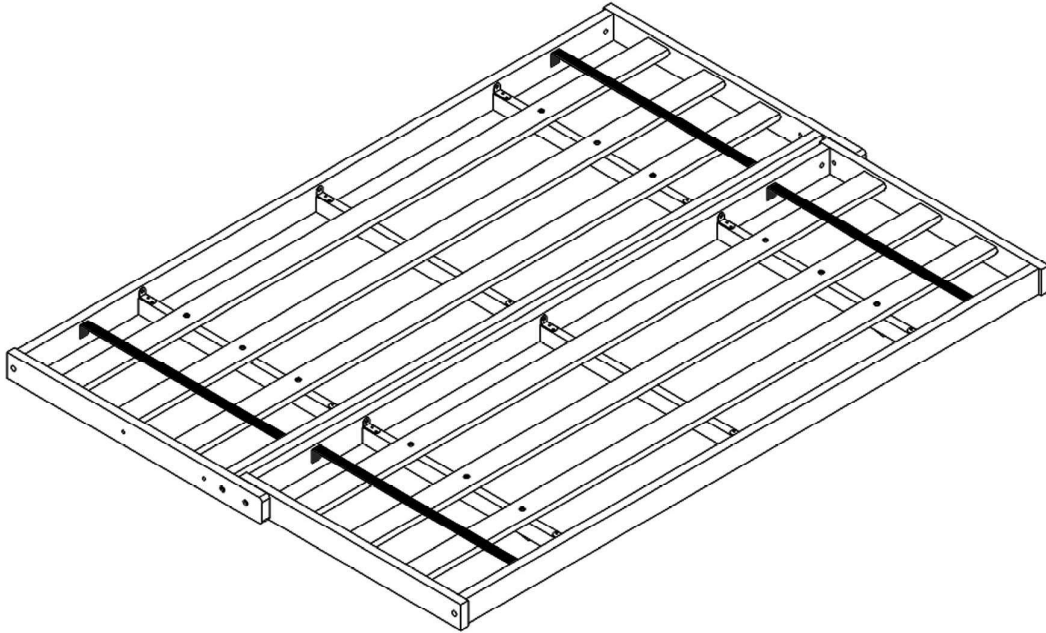
Allen Key provided

Please cover floor with corrugated cardboard / paper / carpet  
to avoid scratches / damages to floor

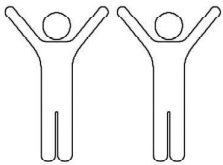


# Body

## Assembly Instructions



Recommended:



Tools Needed:



Allen Key provided

Please cover floor with corrugated cardboard / paper / carpet to avoid scratches / damages to floor

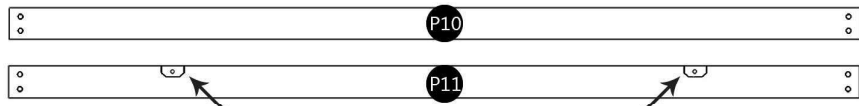
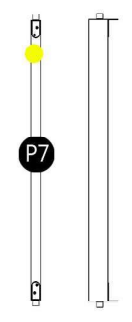
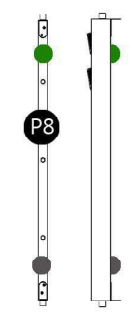
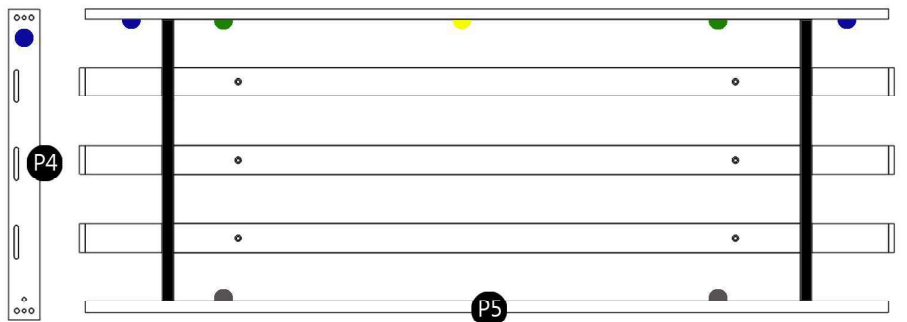
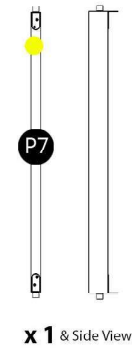
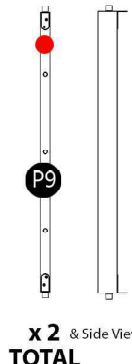
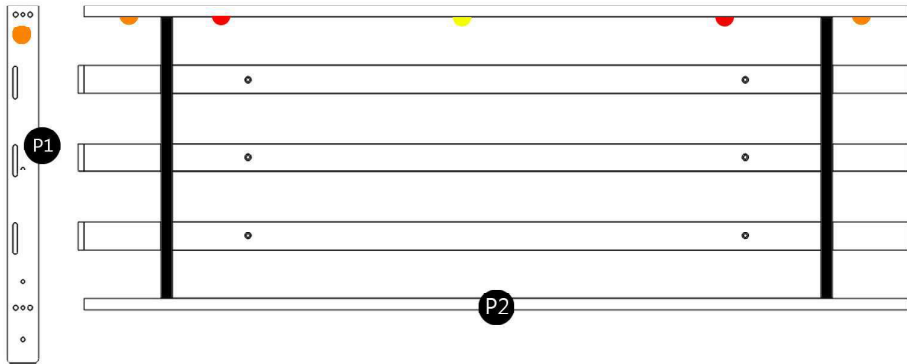
# Assembly Checklist

Please make sure that you have all of the below items before you start. If any are missing, please contact us for a replacement.



## Parts supplied for assembly

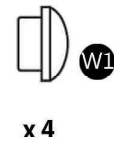
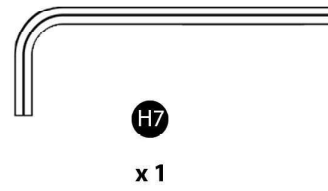
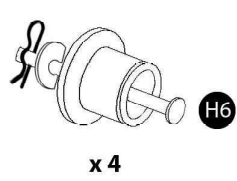
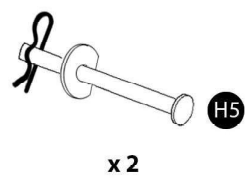
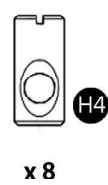
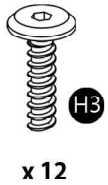
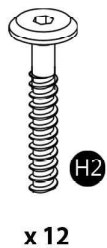
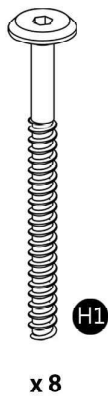
Box A



Front stretcher has metal plates

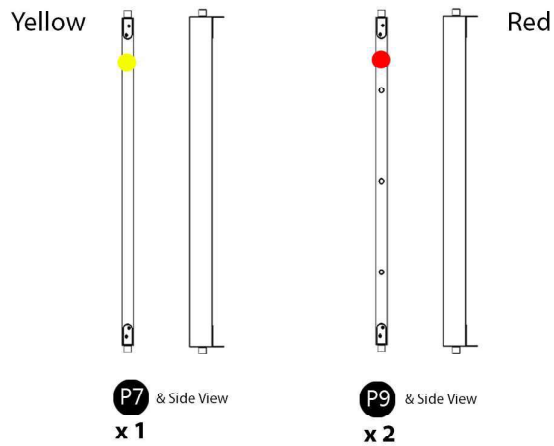
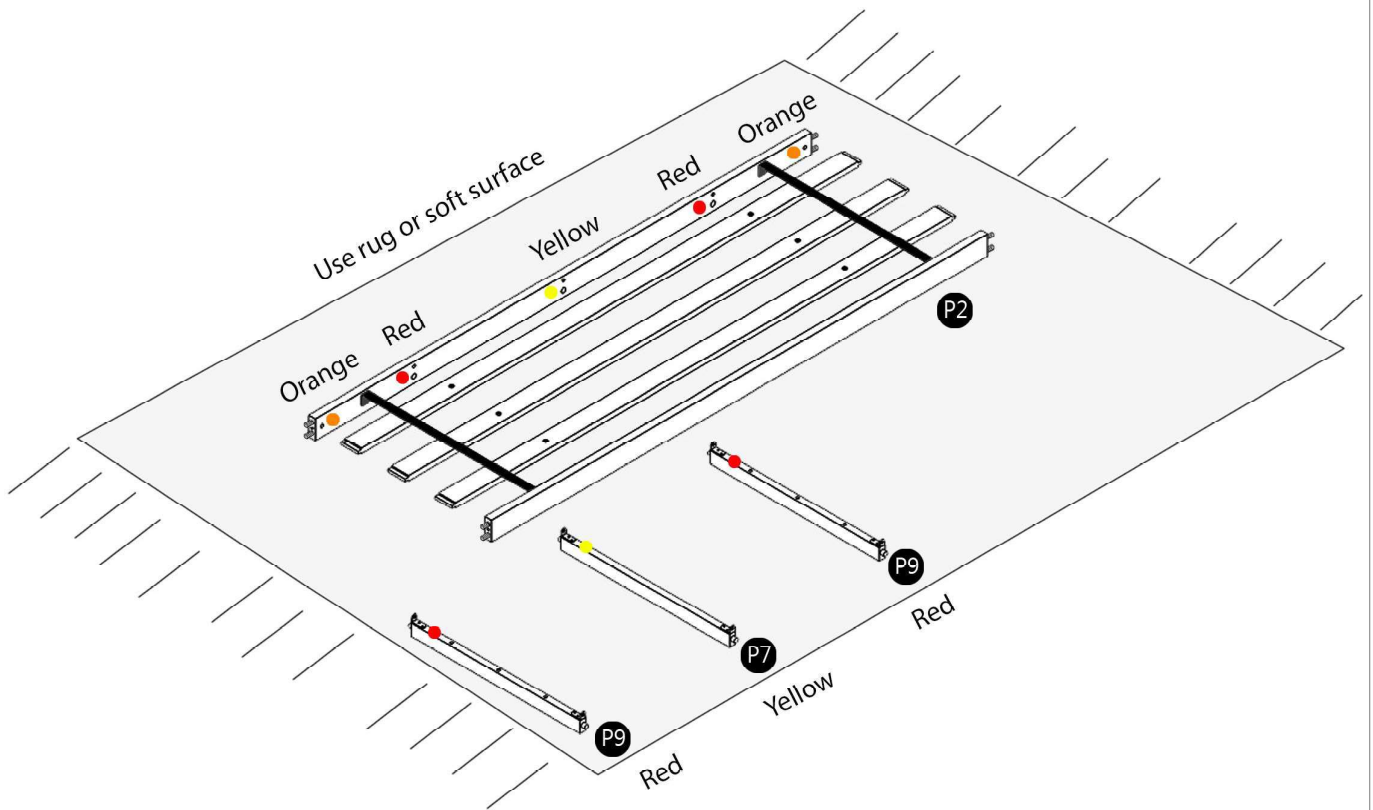
## Hardware supplied for assembly

Tools required for assembly:  
- Allen Key (supplied)

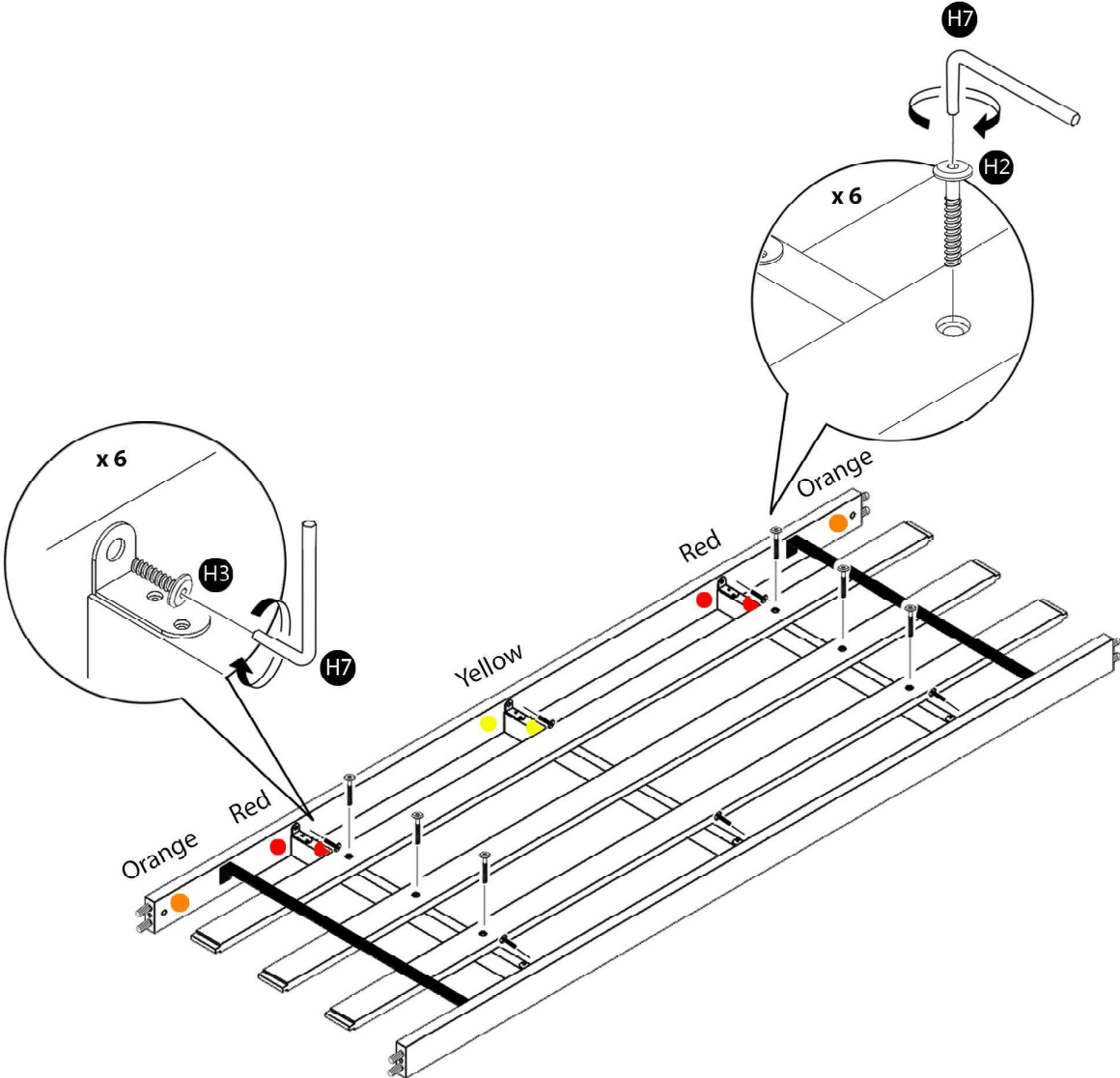


# Step 1: Locate parts P2, P9(2), & P7

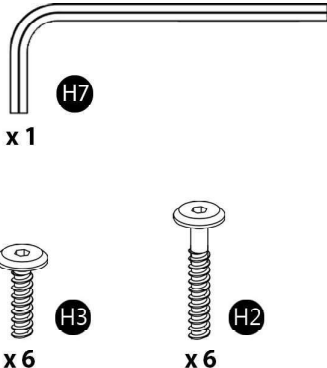
Use colored dots to align parts for connection.



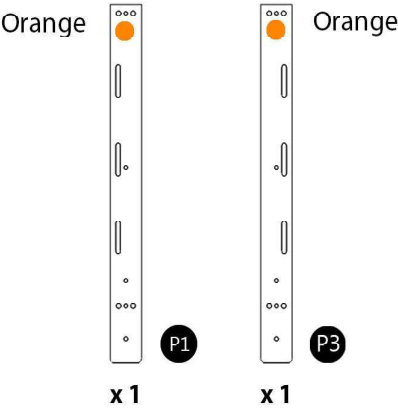
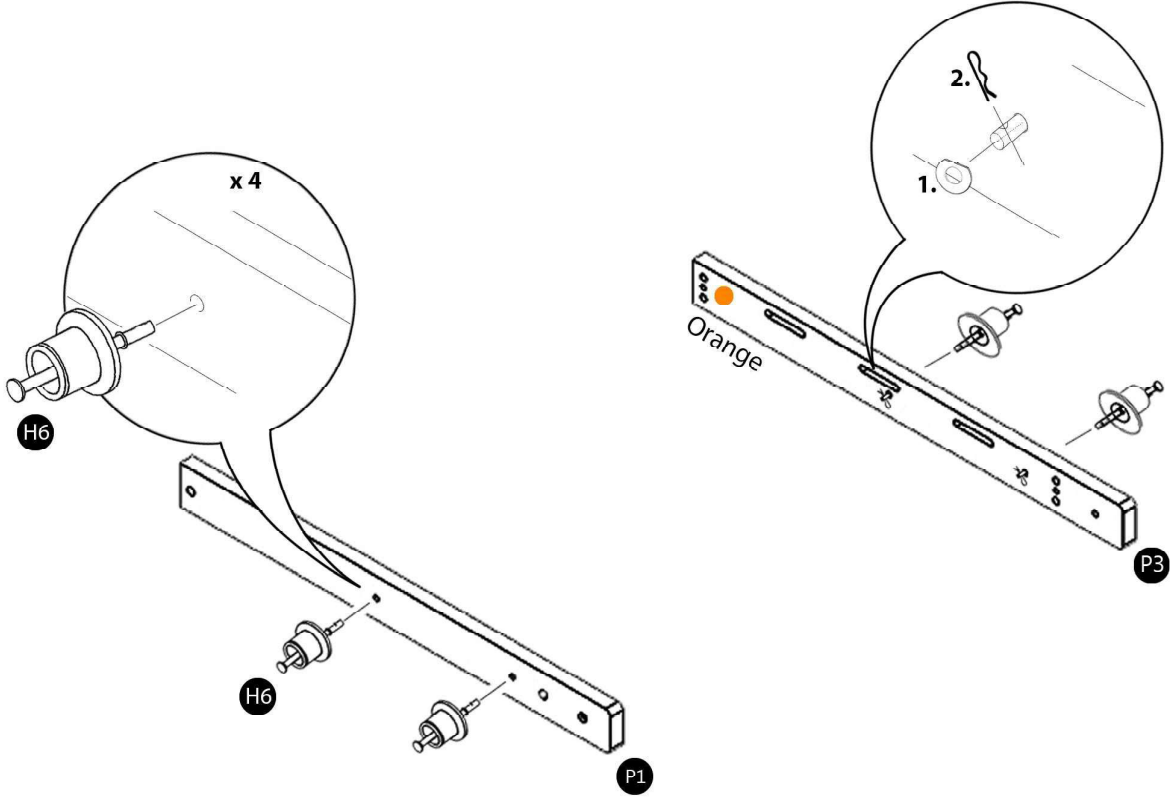
**Step 2:** Attach P7 and P9(2) to P2 with hardware as shown



Loosely attach H2 and H3 bolts.



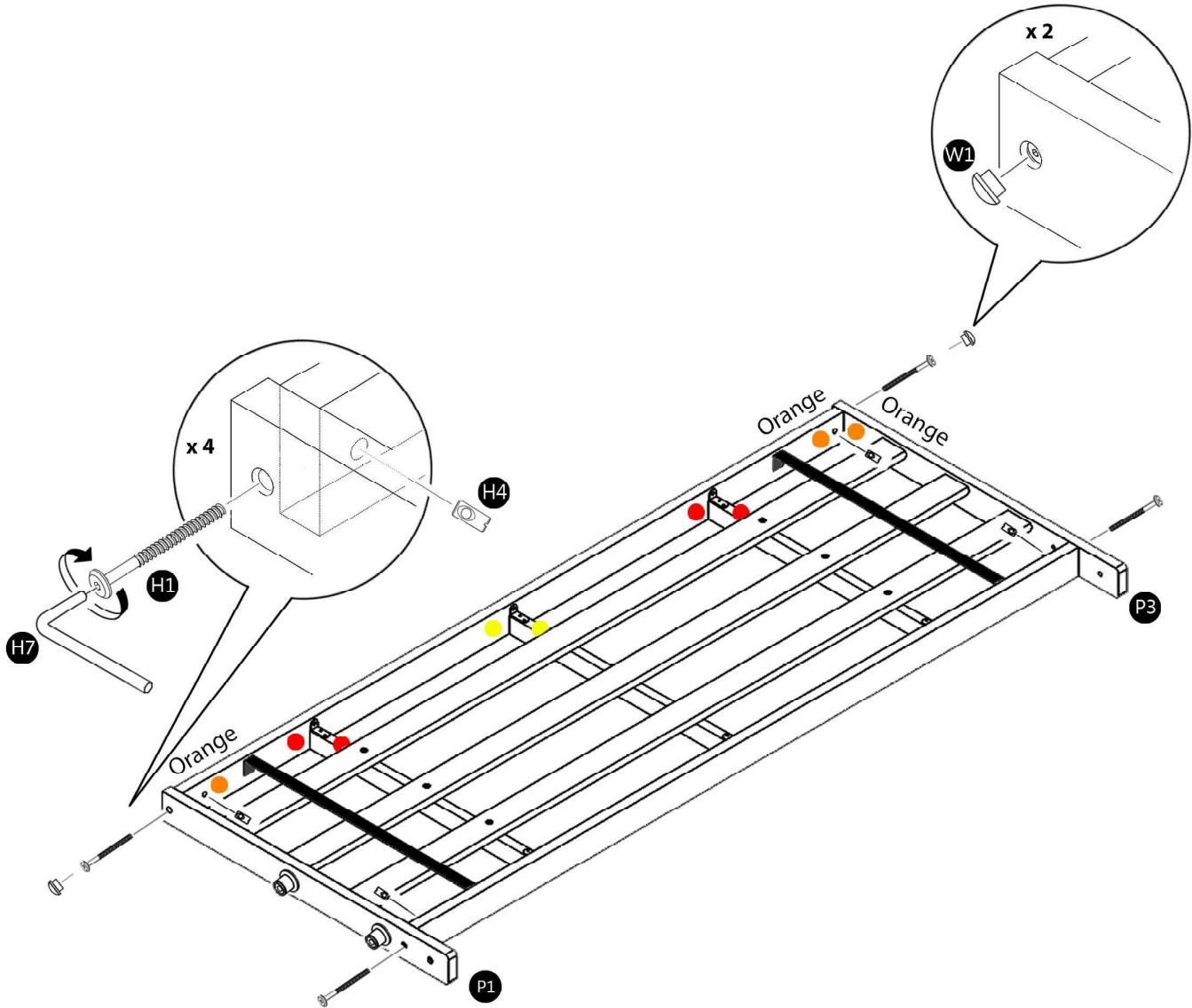
**Step 3:** Attach four nylon guides (H6) as shown



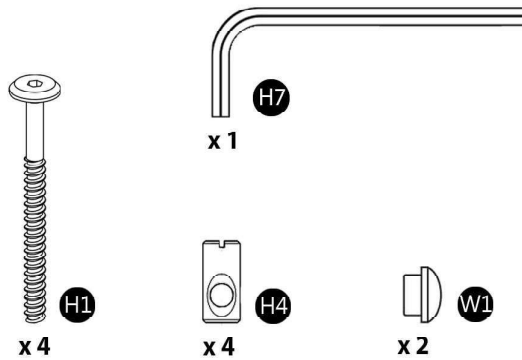


## Step 4: Attach P1 & P3 to back deck P2

Use colored dots to align parts for connection.

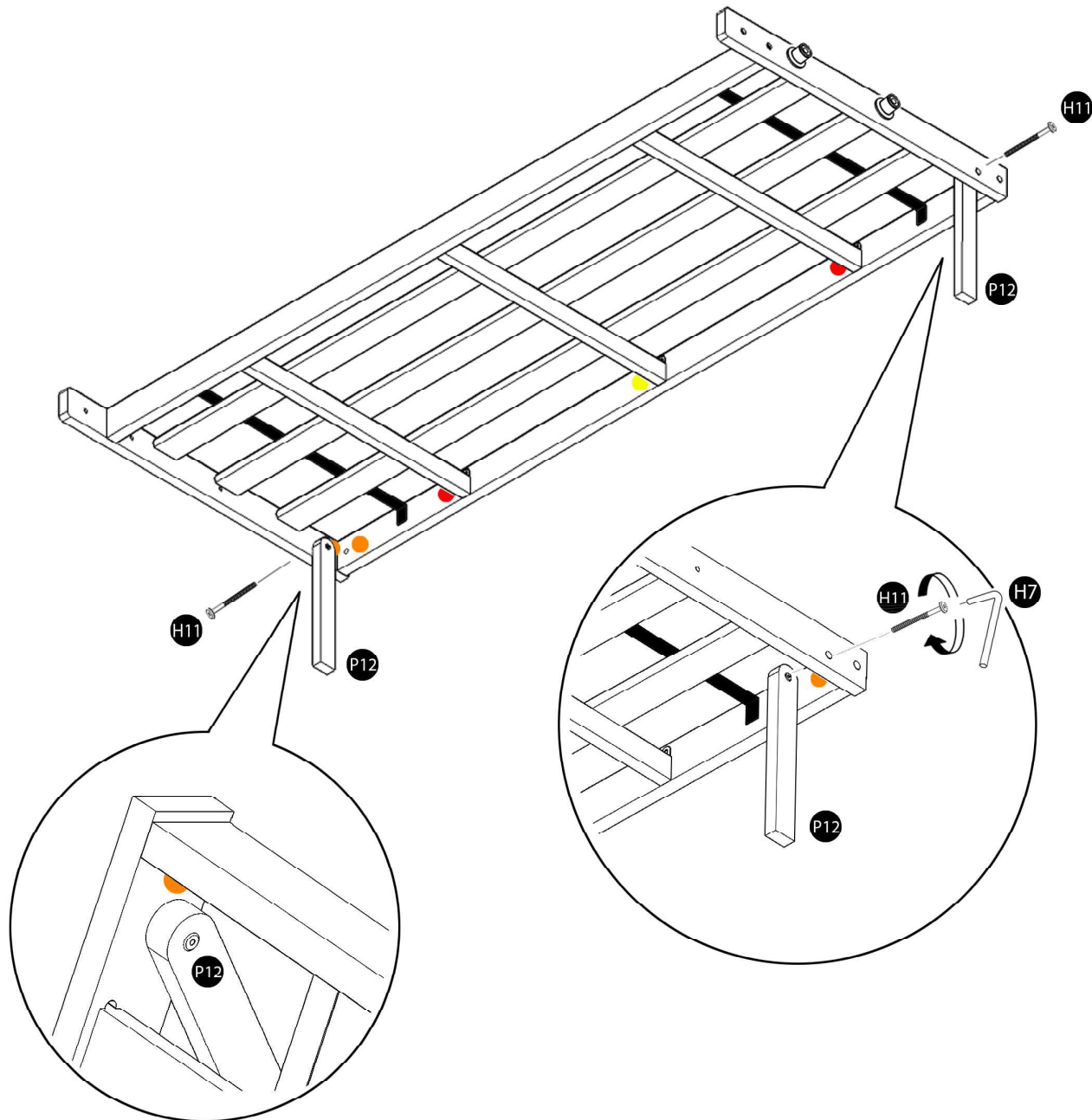


All bolts can be tightened at this point.



# Queen Size Frames

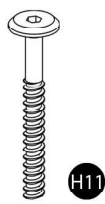
If your frame is queen size, you will need to attach part P12(2)



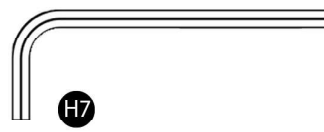
These parts are for a QUEEN SIZE FRAME ONLY



x 2



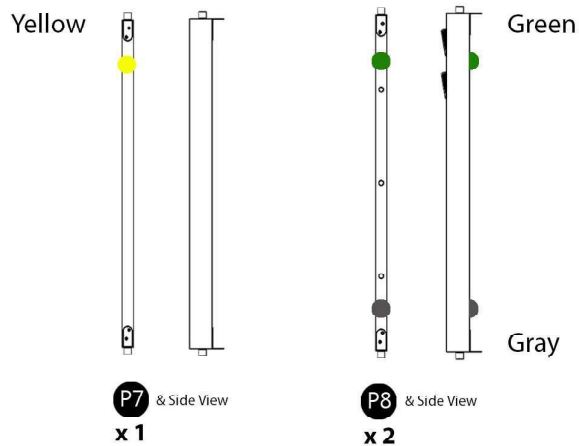
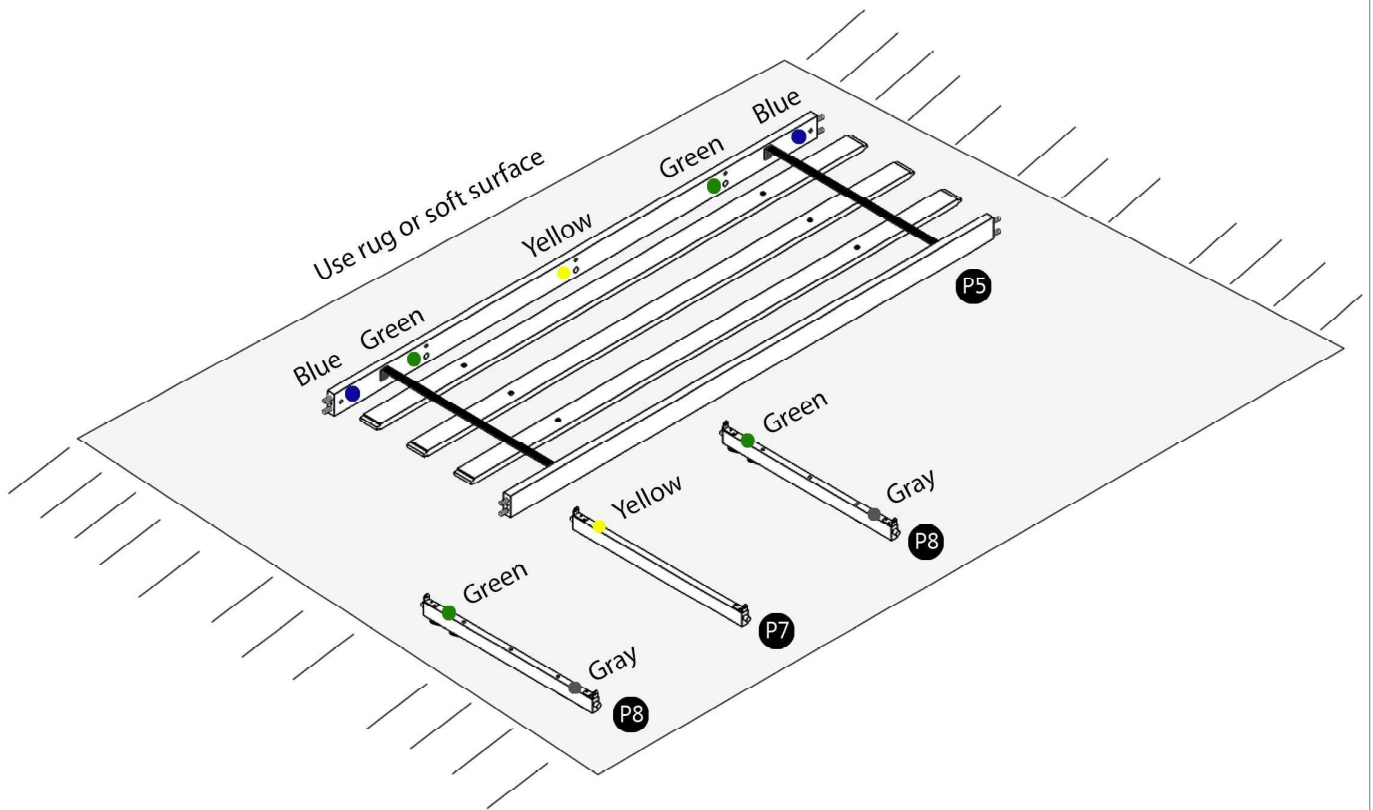
x 2



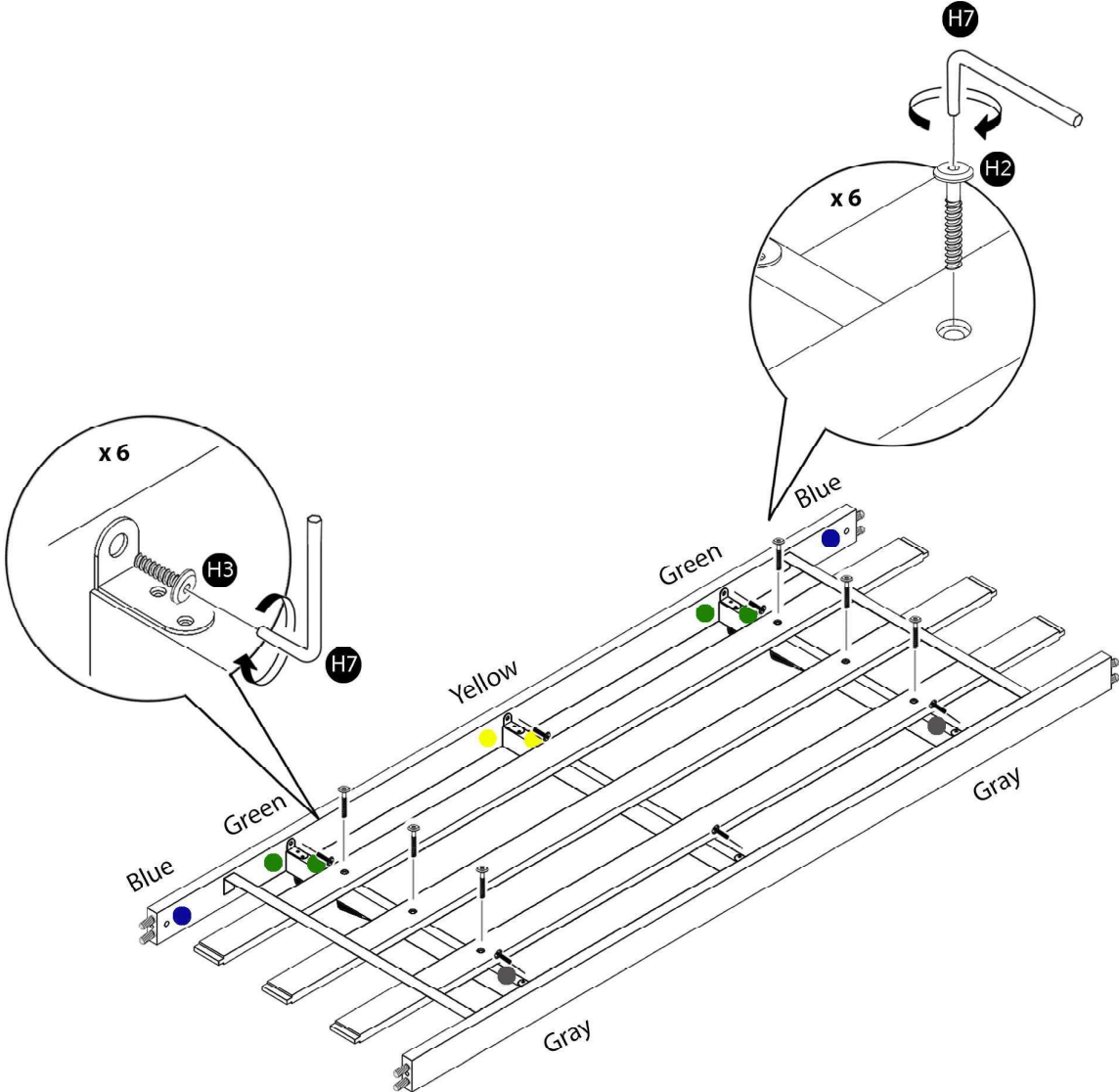
x 1

## Step 5: Locate parts P5, P8(2), & P7

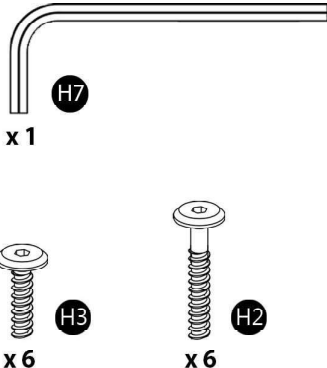
Use colored dots to align parts for connection.



**Step 6:** Attach P7 and P8(2) to P5 with hardware as shown

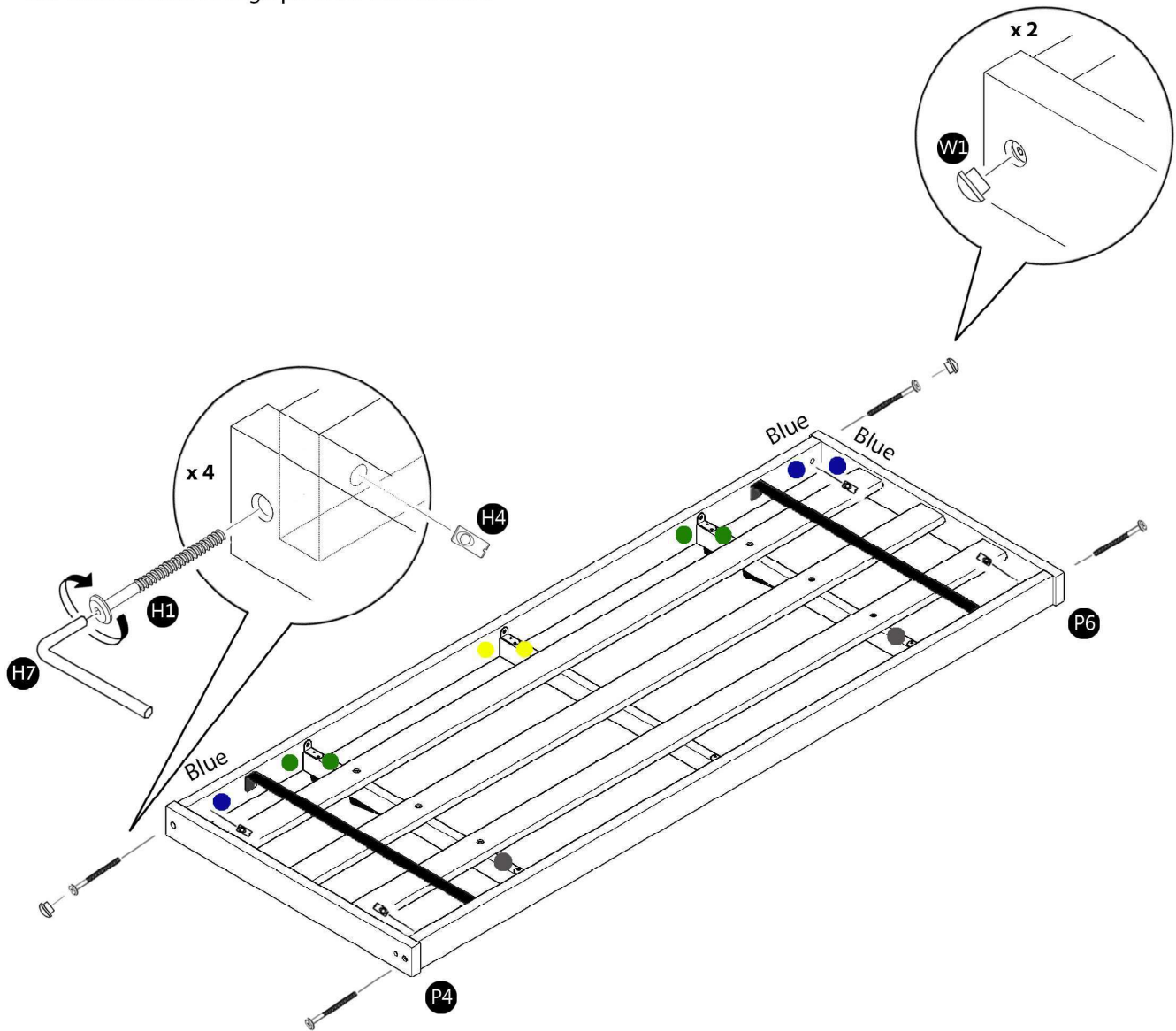


Loosely attach H2 and H3 bolts.

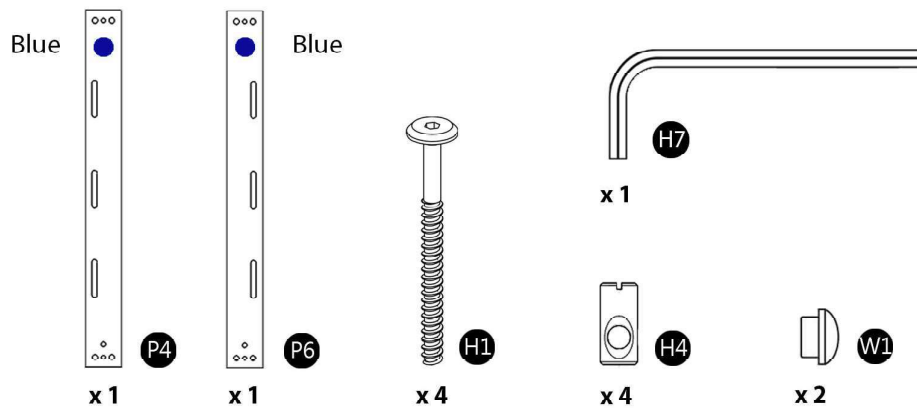


## Step 7: Attach P4 & P6 to seat deck P5

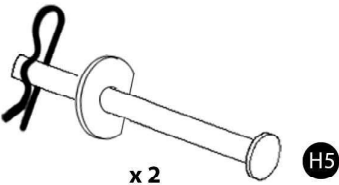
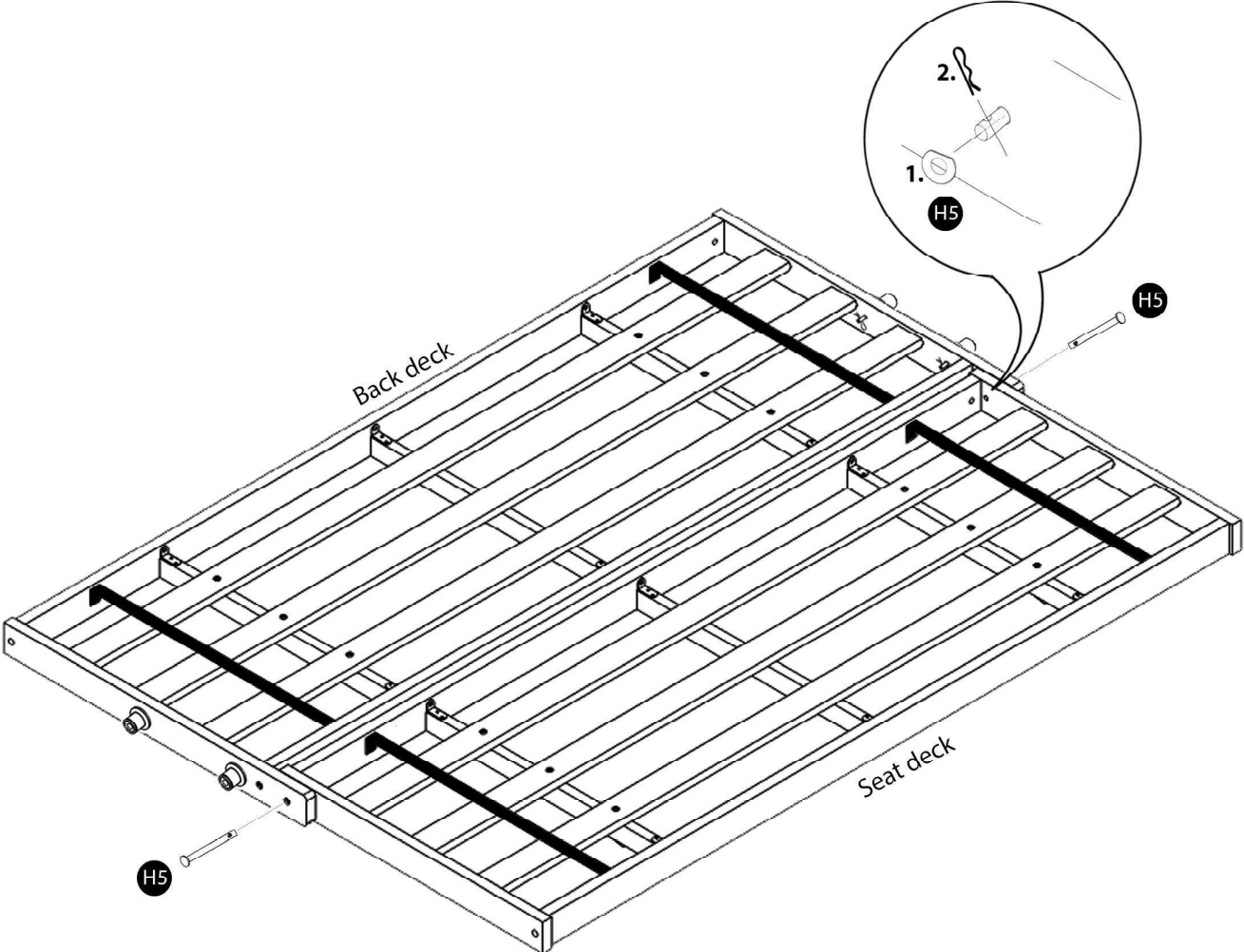
Use colored dots to align parts for connection.



All bolts can be tightened at this point.



**Step 8:** Connect the fully assembled seat and back decks using hardware H5 (x2) as shown below

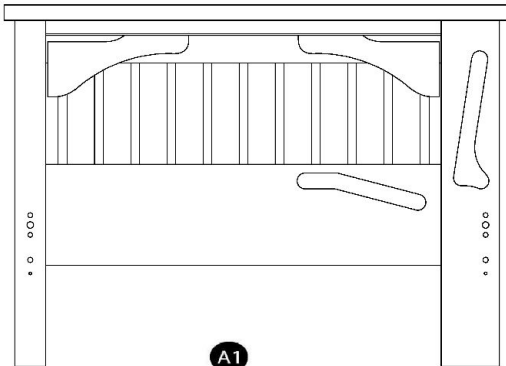


# Assembly Checklist

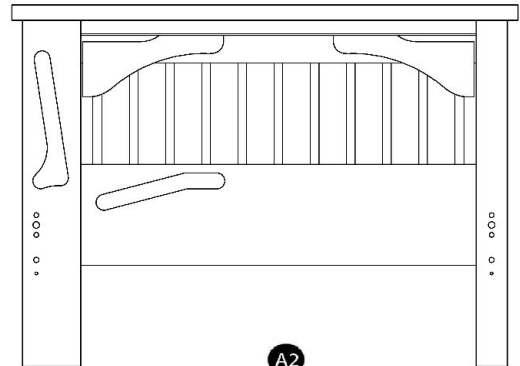
Please make sure that you have all of the below items before you start. If any are missing, please contact us for a replacement.



## Arms

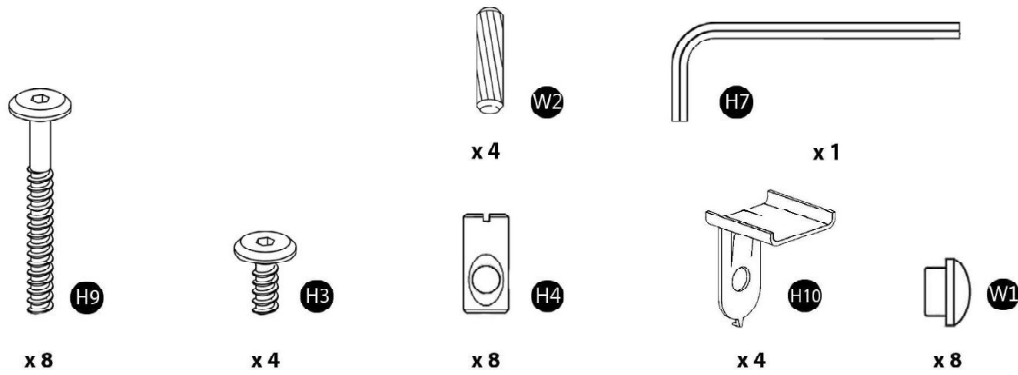


**A1**  
Inside View  
(Left Side)

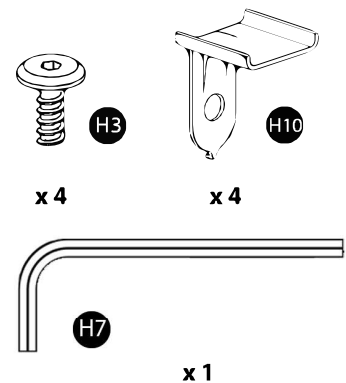
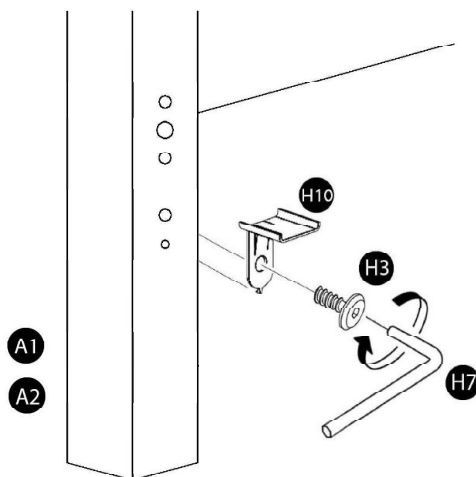


**A2**  
Inside View  
(Right Side)

## Hardware supplied for arm assembly

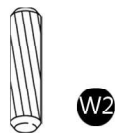
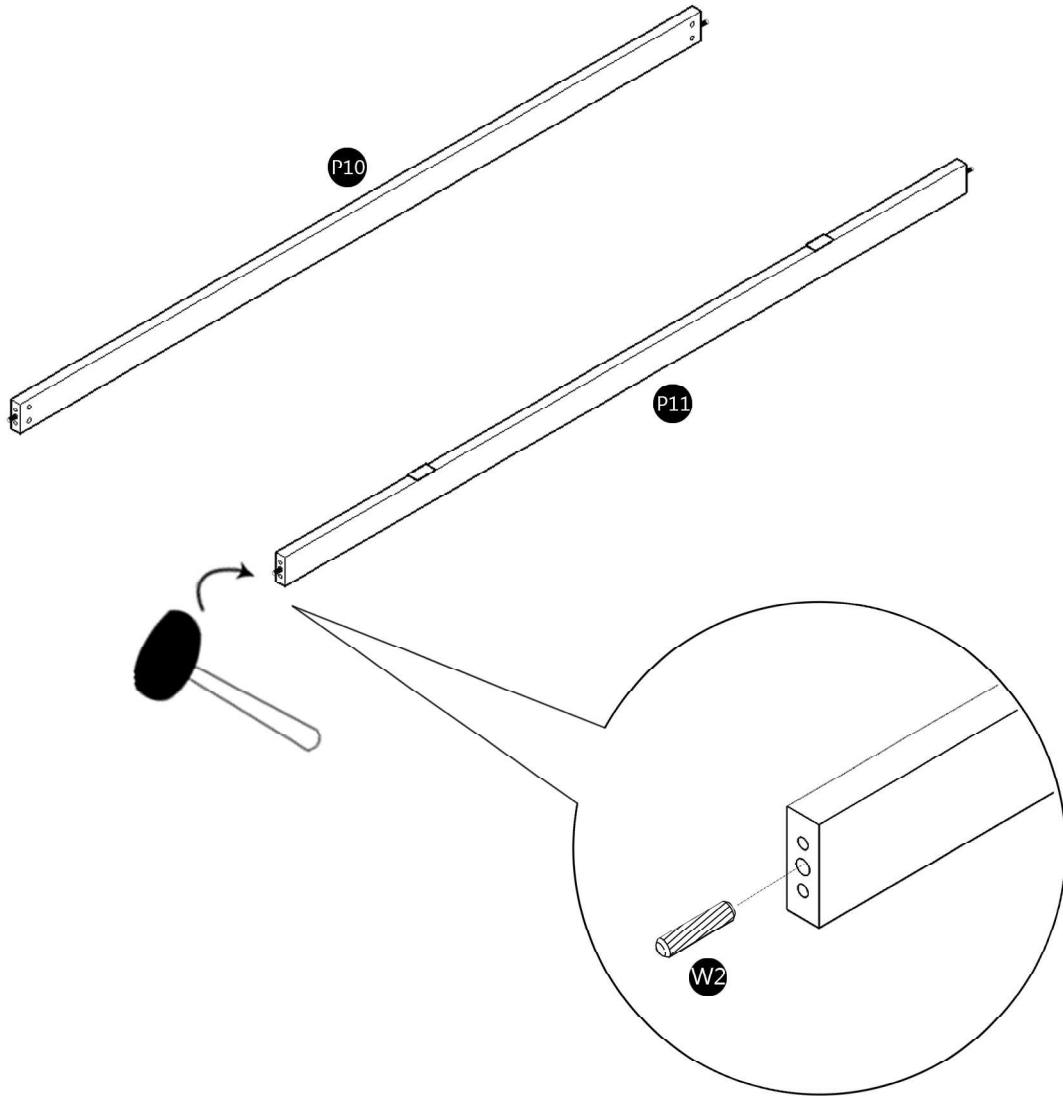


## Step 9: Locate 4 legs, parts A1 & A2



Do not tighten the bolts before finishing all steps.

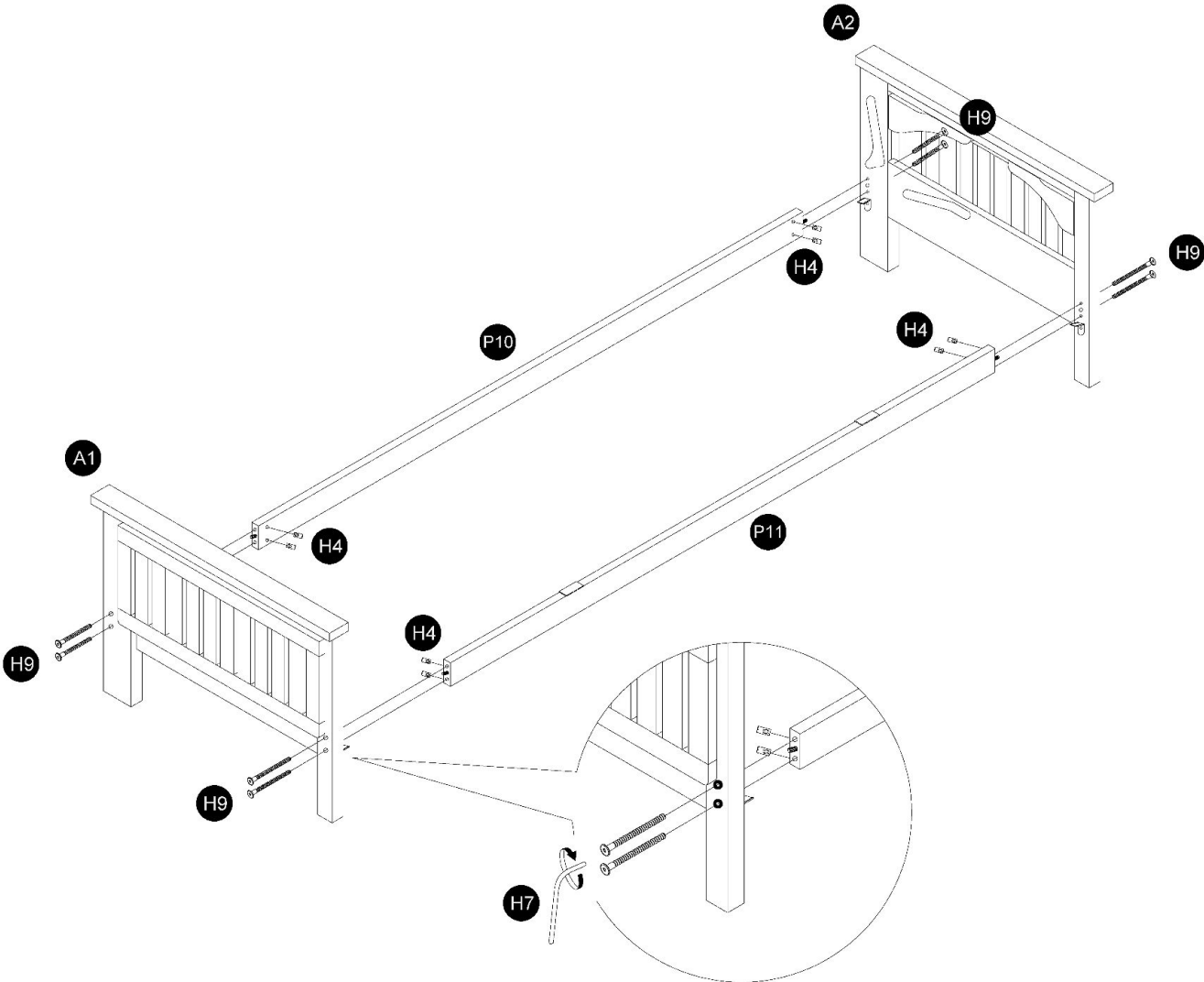
**Step 10:** Insert wood dowels (W2) into stretchers (P10) and (P11) as shown



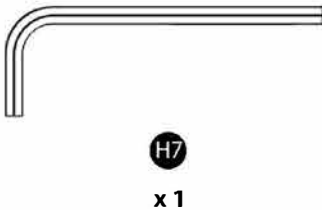
x 4



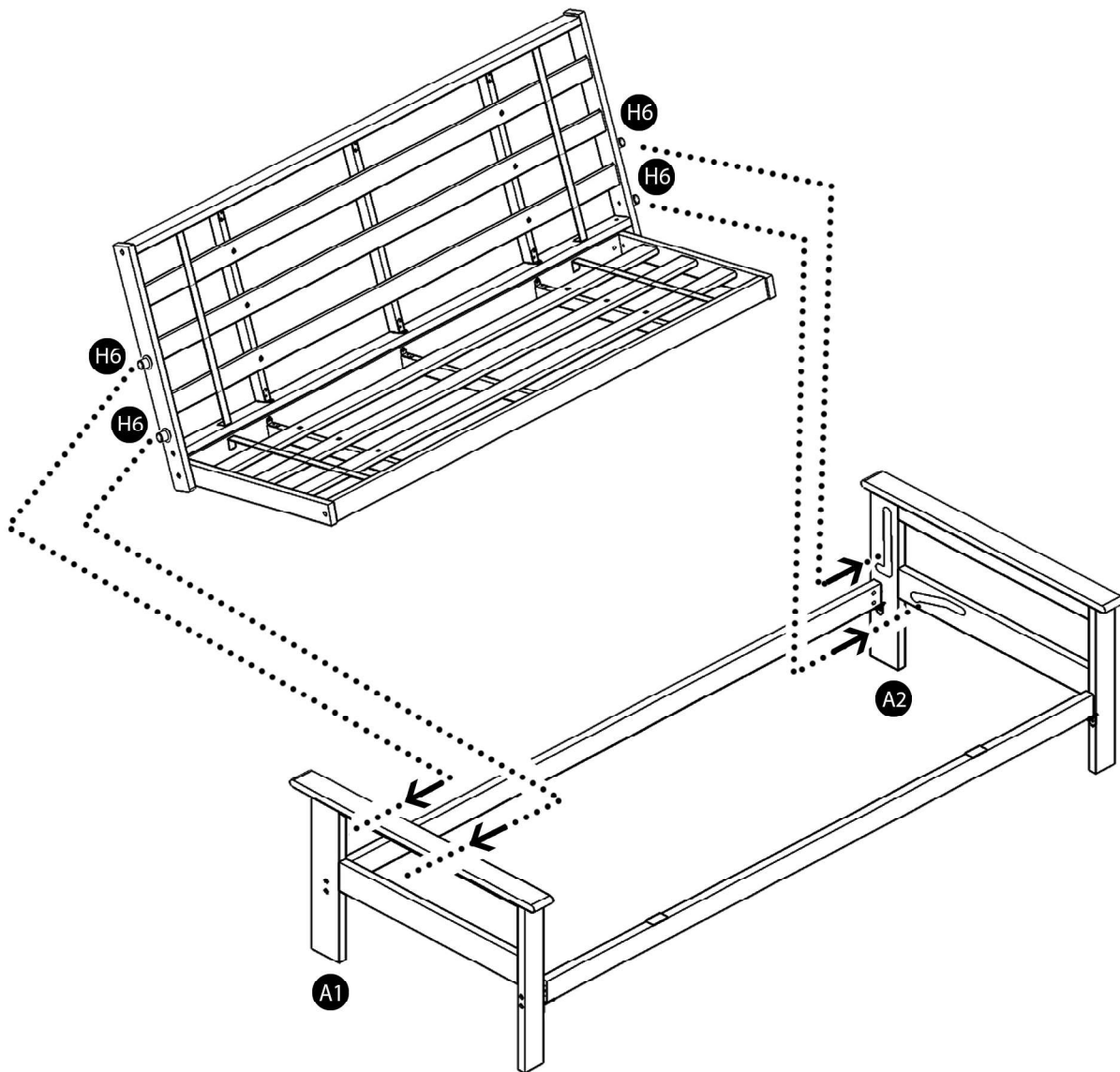
**Step 11: Attach P10 & P11 to A1 & A2 with hardware as shown**



The bolts need to be very loosely attached at this point. Your arm may vary.



**Step 12:** Align H6(4) into grooved out slots on A1 & A2.



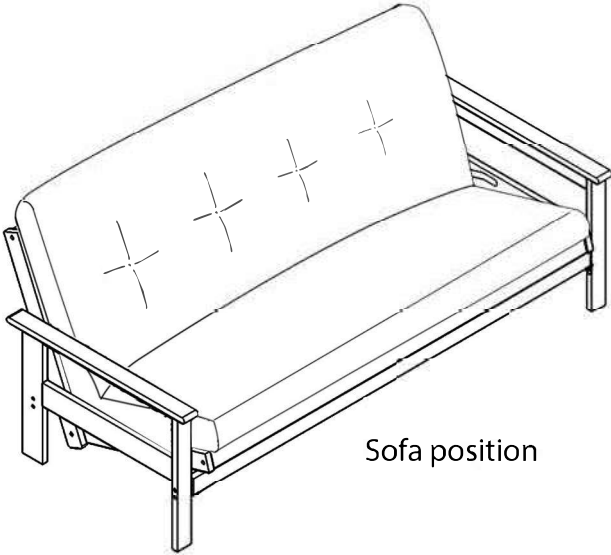
The bolts need to be very loosely attached at this point. Tighten all bolts after everything is in place.



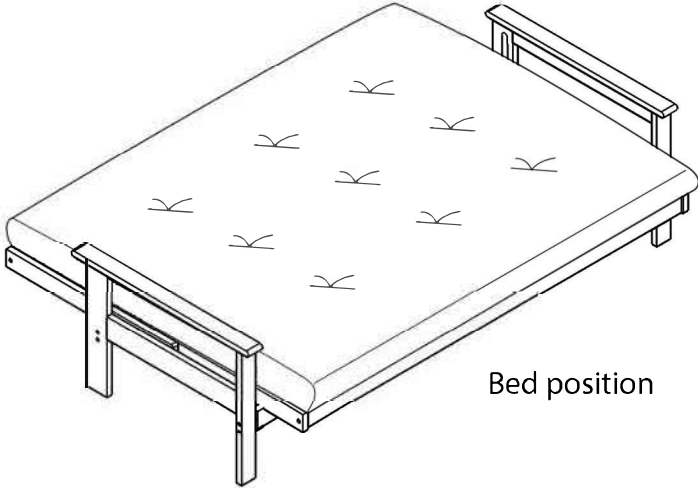
H7  
x 1

# Assembled views

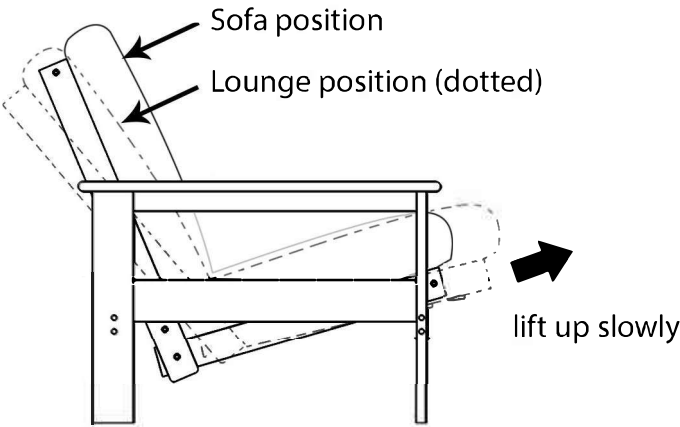
Your arm may vary.



Sofa position



Bed position

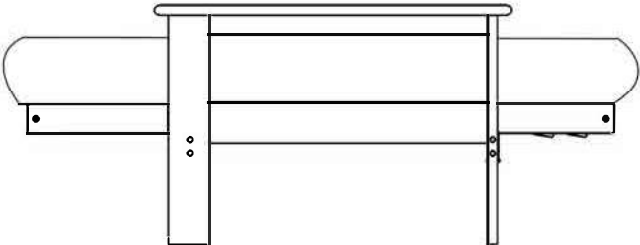


Sofa position

Lounge position (dotted)

lift up slowly

Sofa position to Lounge position.



Bed position